

Floodlight Series 6121

- For use in
 - Zone 1 and Zone 2
 - Zone 21 and Zone 22
- Lamp options
 - halogen lamps (QT) up to 1000 W
 - halogen metal halide lamps (HIT) up to 400 W
 - sodium vapour high pressure lamps (HST) up to 600 W
- Housing in cast aluminium
- Mounting components in hot galvanized steel
- The floodlight can be adjusted in 15° or 30° increments

Explosion protected flood lights series 6121 are designed for large area lighting in industrial outdoor and indoor installations.

STAHL

Zones 1 & 2, 21 & 22



Selection Table								
Version	Lamps ¹⁾	Lamp-holder	Power	Temperature class at T _a =		T _{O,max.} at T _a = 40 °C	Ordering code	Weight kg
				40 °C	50 °C			
IIC floodlight, size 2, Series 6121/52..	QT	E 27	250 W	T3	T3	170 °C	6121/5211-125-01	23,000
	HST	E 27	70 W	T4	T4	100 °C	6121/5211-307-01	30,000
	HIT / HST	E 40	150 W	T4	T3	130 °C	6121/5212-615-01	24,000
			250 W	T3	--	160 °C	6121/5212-625-01	25,000
IIC floodlight, size 3, Series 6121/53..	QT	E 40	max. 500 W max. 1000 W	T3	T2	200 °C	6121/5312-150-01	29,000
				T2	--	270 °C		
	HIT / HST	E 40	250 W	T4	T3	140 °C	6121/5312-625-01	32,500
			400 W	T3	T3	200 °C	6121/5312-640-01	34,000
	HST	E 40	600 W	T3	--	200 °C	6121/5312-360-01	32,000
Order Number Supplement								
Compensation	without compensation						6121/.....-0..	0,300
	with compensation						6121/.....-1..	
Note	The light fittings are supplied without lamps and mounting material, see accessories							
	1)	QT	→	Halogen lamps				
		HIT	→	Metal halide lamps				
		HST	→	High-pressure sodium lamps				
		HIT / HST	→	Metal halide lamps / High-pressure sodium lamps				

Selection Table								
Version	Lamps ¹⁾	Lamp-holder	Power	Temperature class at T _a =		T _{O,max.} at T _a = 40 °C	Ordering code	Weight kg
				40 °C	50 °C			
IIB floodlight, size 2, Series 6121/62..	QT	E 27	250 W	T3	--	190 °C	6121/6211-125-0120-230	25,000
			500 W	T3	--	190 °C	6121/6212-150-0120-230	25,000
		R7s	300 W	T3	--	190 °C	6121/6213-130-0120-230	25,000
			500 W	T2	--	190 °C	6121/6213-150-0120-230	25,000
	HIT / HST	E 27	70 W	T3	--	190 °C	6121/6211-607-1121-230	26,000
			150 W	T3	--	190 °C	6121/6212-615-1121-230	27,000
				T3	--	190 °C	6121/6212-625-1121-230	28,500
	HIT	E 40	400 W	T3	--	190 °C	6121/6212-240-0121-230	30,000
	HST	E 40	400 W	T3	--	190 °C	6121/6212-340-1121-230	30,000
	Order Number Supplement							
Compensation	without compensation						6121/.....-0..	0,300
	with compensation						6121/.....-1..	
Reflector	wide beam						6121/..1.-.....	0,000
	narrow beam						6121/..2.-.....	0,000
Note	The light fittings are supplied without lamps and mounting material, see accessories							
	1)	QT	→	Halogen lamps				
		HIT	→	Metal halide lamps				
		HST	→	High-pressure sodium lamps				
		HIT / HST	→	Metal halide lamps / High-pressure sodium lamps				




Technical Data			
Version	6121/52 size 2 IIC	6121/53 size 3 IIC	6121/62 size 2 IIB
Explosion protection			
Gas explosion protection	⊕ II 2 G EEx de IIC T4 ... T2	⊕ II 2 G EEx de IIC T4 ... T2	⊕ II 2 G Ex de IIB T2, T3
Dust explosion protection	⊕ II 2 D IP67 T100 °C ... T170 °C	⊕ II 2 D IP67 T140 °C ... T270 °C	⊕ II 2 D Ex td A21 IP67 T190 °C or T290 °C
Certificates			
Gas explosion protection	PTB 04 ATEX 1100	PTB 04 ATEX 1021	PTB 05 ATEX 1105
Dust explosion protection	PTB 04 ATEX 1100	PTB 04 ATEX 1021	PTB 05 ATEX 1105
Rated operational voltage U_e	Standard: 230 V +/- 6 %, AC, 50 Hz Special: 220 V AC or 240 V AC; 50 Hz or 60 Hz		max. 230 V (240 V on request)
Power factor $\cos \varphi$	$\cos \varphi \geq 0.9$ (compensated)		$\cos \varphi \geq 0.9$ (compensated)
Material			
Enclosure material	sea water resistant cast aluminium		sea water resistant cast aluminium
Lens	Safety glass		Safety glass
Reflector	Aluminium, high polished		Aluminium, high polished
Light aperture	broad bowl		broad bowl / narrow bowl
Exchange of lamps	Sideways aperture for lamp exchange, closed via threaded lid		Sideways aperture for lamp exchange, closed via threaded lid
Ambient temperature	- 20 °C ... + 40 °C / 50 °C		- 25 °C ... + 45 °C
Installation orientation	Horizontal mounting		all directions other than upwards possible
Degree of protection	IP66 / 67		IP67
Connection	L1 + N + PE, max. 4 mm ² solid/flexible		L + N, 2 x 2.5 mm ²
Mounting	Steel bracket, defined inclination possible		Steel bracket, defined inclination possible
Cable entry	1 cable gland M 25 x 1.5; 1 stopping plug M 25 x 1.5		1 cable gland M 25 x 1.5; 1 stopping plug M 25 x 1.5
Compensation	Compensation unit in aluminium alloy, mounted at the backside of the floodlight		Standard with compensation

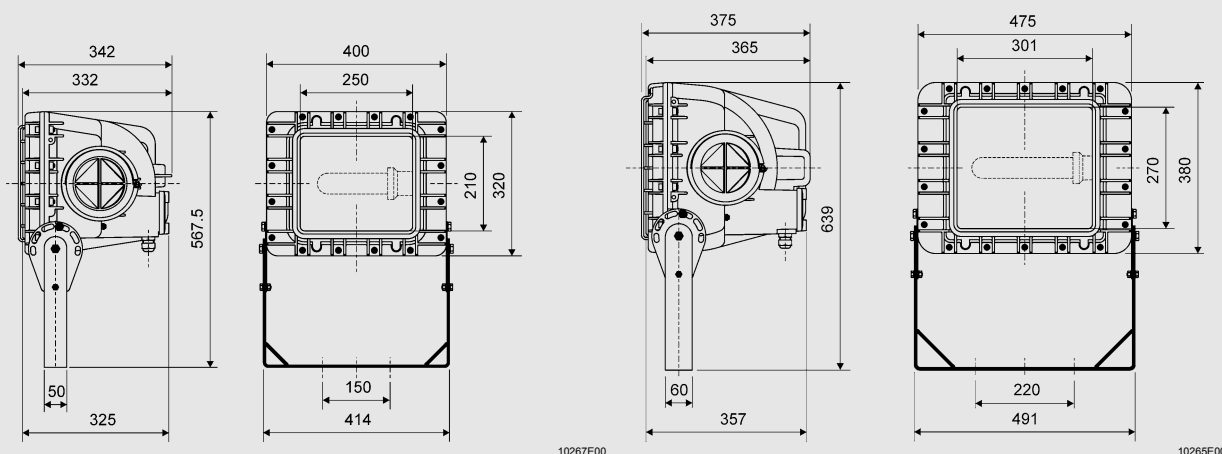
Accessories and Spare Parts

Designation	Illustration	Description				Ordering code	Weight kg
Halogen lamps QT	 05355E00	Power	Lamp-holder	Voltage	Lighting current		
		230 W	E 27	230 V	4200 lm	4616400	0,060
		500 W	E 40	230 V	10000 lm	4616410	0,132
		300 W	R7s	230 V	5000 lm	4647760	0,014
		500 W	R7s	230 V	9500 lm	4647770	0,014
Halogen metal halide lamps HIT	 05355E00	70 W	E 27	230 V	6500 lm	4619110	0,176
		150 W	E 40	230 V	14000 lm	4619130	0,206
		250 W	E 40	230 V	20000 lm	4619150	0,200
		400 W	E 40	230 V	31500 lm	4619170	0,235

Accessories and Spare Parts

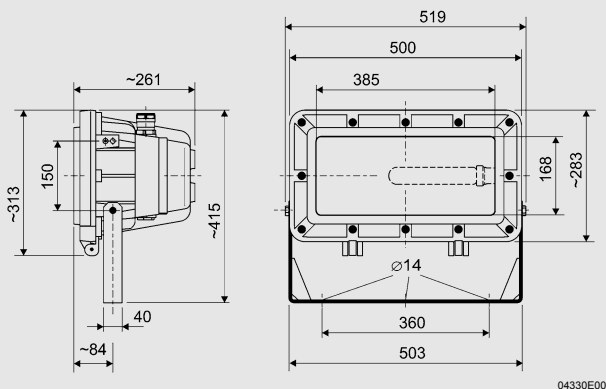
Designation	Illustration	Description	Ordering code	Weight kg
High pressure sodium lamps HST	 05355E00	70 W E 27 230 V 6000 lm	4619100	0,088
		150 W E 40 230 V 15000 lm	4619120	0,170
		250 W E 40 230 V 28000 lm	4619140	0,213
		400 W E 40 230 V 48000 lm	4619160	0,238

Dimensional Drawings (All Dimensions in mm) - Subject to Alterations



IIC floodlight, size 2, 6121/52..

IIC floodlight, size 3, 6121/53..



IIB floodlight, size 2, 6121/62..

We reserve the right to make alterations to the technical data, weights, dimensions, designs and products available without notice. The illustrations cannot be considered binding.

