

## Signal Beacon Series 6162

- Explosion protection to
  - CENELEC
  - IEC
- For use in
  - Zone 1 and Zone 2
  - Zone 21 and Zone 22
- Versions
  - rotating mirror beacon
  - rotating beacon
  - beacon with double flash (14 J)
  - flashing beacon (15 J)
- Saltwater-proof aluminium enclosure with glass hood
- Integrated Ex e service compartment
- Glass hood available in clear, signal yellow, red, blue and orange
- Halogen lamp 20 W, 35 W







04721E00

The signal beacons of Series 6162 are installed to provide optical signals in explosive gas atmospheres.

STAHL


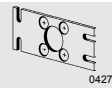
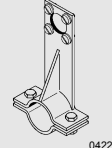
# Zones 1 & 2, 21 & 22

## Selection Table

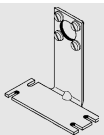



Version	Rated Voltage	Power	Temperature class at T <sub>a</sub> =		T <sub>O max.</sub> at T <sub>a</sub> = 40 °C	Ordering code	Weight kg
			40 °C	50 °C			
 6162 Rotating mirror beacon 06128E00	24 V AC / DC	20 W	T4	--	105 °C	6162/17-61- .11	3,500
	24 V AC / DC	35 W	T3	--	150 °C	6162/17-62- .11	3,500
	115 V AC 50 / 60 Hz	35 W	T3	--	150 °C	6162/17-32- .11	3,500
	230 V AC 50 / 60 Hz	20 W	T4	--	105 °C	6162/17-11- .11	3,500
	230 V AC 50 / 60 Hz	35 W	T3	--	150 °C	6162/17-12- .11	3,500
 6162 Rotating beacon 05759E00	24 V AC / DC	20 W	T6	--	80 °C	6162/18-61- .11	3,500
	24 V AC / DC	35 W	T4	--	105 °C	6162/18-62- .11	3,500
	115 V AC 50 / 60 Hz	35 W	T4	--	105 °C	6162/18-32- .11	3,500
	230 V AC 50 / 60 Hz	20 W	T6	--	80 °C	6162/18-11- .11	3,500
	230 V AC 50 / 60 Hz	35 W	T4	--	105 °C	6162/18-12- .11	3,500
 6162 Beacon with double flash 05759E00	24 V DC	9 + 5 Joule	T5	--	85 °C	6162/16-53- .11	3,500
	115 V AC 50 / 60 Hz	9 + 5 Joule	T5	--	90 °C	6162/16-23- .11	3,500
	230 V AC 50 / 60 Hz	9 + 5 Joule	T5	--	85 °C	6162/16-13- .11	3,500
 6162 Flashing beacon 05759E00	24 V DC	15 Joule	T6	T5	78 °C	6162/15-54- .11	3,500
	110 V - 127 V AC 50 / 60 Hz	15 Joule	T6	T5	82 °C	6162/15-44- .11	3,500
	230 V AC 50 / 60 Hz	15 Joule	T6	T5	80 °C	6162/15-14- .11	3,500
<b>Add. to Ordering Code</b>							
Colour of glass	signal yellow					6162/ . . . . -1..	
	clear					6162/ . . . . -2..	
	red					6162/ . . . . -3..	
	blue					6162/ . . . . -4..	
	orange					6162/ . . . . -6..	
Note	The optical beacons are supplied without mounting accessories and wire guard. These must be ordered separately!						



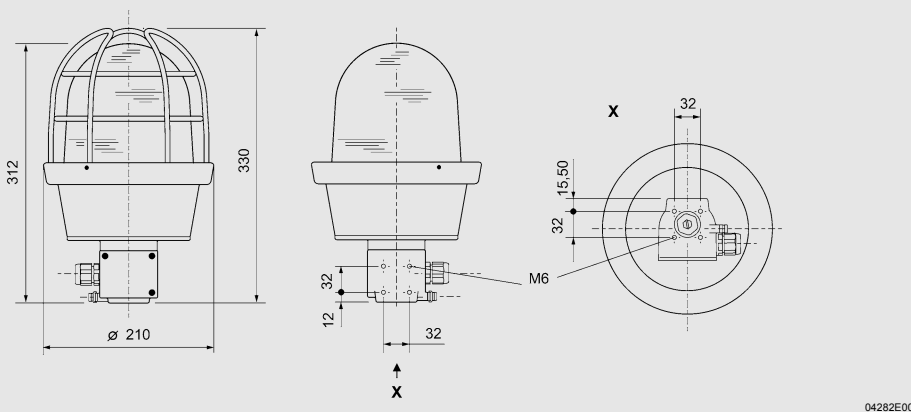
Technical Data	
Explosion protection	
Gas explosion protection	⊕ II 2 G Ex de IIC T*
Dust explosion protection	⊕ II 2 D Ex tD A21 IP 66 T*
	* Temperature classes are dependent on lamp power (see selection table)
Certificates	PTB 06 ATEX 1037
Rated Voltage	DC 24 V (Beacon with double flash, 15 J flashing beacon) AC/DC 24 V AC 115 V, 50 / 60 Hz AC 230 V, 50 / 60 Hz AC 110 - 127 V AC, 50 / Hz (15 J flashing beacon)
Lamp power	20 W, 35 W
Rotation speed	Rotating mirror beacon: 180 <sup>1</sup> / <sub>min</sub> Rotating beacon: 60 <sup>1</sup> / <sub>min</sub>
Duty cycle	100 %
Life	Rotating mirror beacon 5000 h Rotating beacon 5000 h Beacon with double flash 4x10 <sup>6</sup> flash Flashing beacon 4x10 <sup>6</sup> flash
Degree of protection	IP 66 (EN 60529)
Material	
Housing	aluminium alloy, powder-coated, yellow/black, non copper
Lamp hood	glass
Wire guard	stainless steel
Gasket	NBR-O-ring seals
Protection class	I (internal and external PE connection terminal, according to EN 60598)
Connection	<b>Screw terminal blocks</b> Clamping area: 2 x 4 mm <sup>2</sup> (solid) / 2 x 2.5 mm <sup>2</sup> (flexible) 3 pole (clamping designation: L1 + N + PE)
Cable glands	Standard: 1 cable gland 8161, M 20 x 1.5 clamping area: Ø 6 mm ... 13 mm 1 stopping plug 8290, M 20 x 1.5  Special: metal screw fittings M 20 - on request

Accessories and Spare Parts					
Designation	Illustration	Description	Ordering code	Weight kg	
Halogen bulb		Socket G6.35			
		20 W / 12 V	2 pieces	<b>616280820010</b>	0,001
		20 W / 24 V	2 pieces	<b>616280820020</b>	0,001
		35 W / 12 V	2 pieces	<b>616280820030</b>	0,001
		35 W / 24 V	2 pieces	<b>616280820040</b>	0,001
Mounting plate		Material: stainless steel, includes mounting screws, mounting plate only for fixing on ground	<b>6161802550</b>	0,200	
Pipe clamp		R 2"	<b>616280260030</b>	0,600	
		R 1 1/2"	<b>616280260020</b>	0,560	
		R 1 1/4"	<b>616280260010</b>	0,520	

**Accessories and Spare Parts**

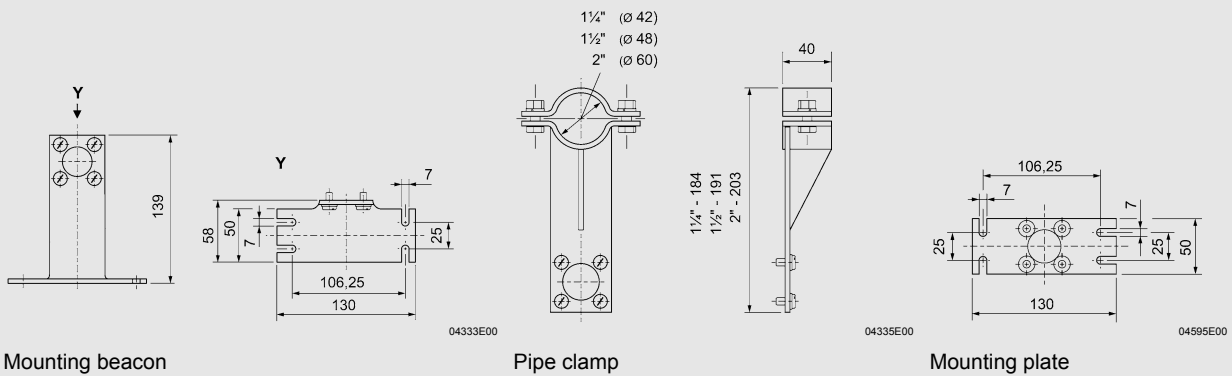
Designation	Illustration	Description	Ordering code	Weight kg	
Mounting bracket	 04281E00	Material: stainless steel includes mounting screws	<b>616280440010</b>	0,450	
Wire guard	 10289E00	Material: stainless steel, includes mounting screws	<b>616280140010</b>	0,540	
Cable gland	 05864E00	Cable diameter 6 ... 13 mm			
		8161/5-M 20-13	1 piece	<b>8161077010</b>	0,012
		8161/5-M 20-13	50 pieces	<b>8161025030</b>	0,600
Stopping plug	 04840E00	8290/3-M 20 x 1.5	1 piece	<b>8290008590</b>	0,004
		8290/3-M 20 x 1.5	100 pieces	<b>8290045590</b>	0,600

**Dimension Drawings (all dimensions in mm) - subject to alterations**



Signal beacon 6162

**Mounting accessories**



Mounting beacon

Pipe clamp

Mounting plate

We reserve the right to make alterations to the technical data, weights, dimensions, designs and products available without notice. The illustrations cannot be considered binding.

