



11624E00

## LED Cluster Lightings Series 6590

- Flexible and quick installation in Zone 2, Zone 21 and Zone 22
- Suitable for stairs, emergency lighting, cabinet lighting or small rooms
- Low maintenance cycles due to long service lifetime of LEDs

### Selection Table

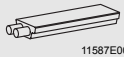

| Version                      | Rated voltage | Ordering Code   | Weight<br>kg |
|------------------------------|---------------|-----------------|--------------|
| LED Cluster Lighting<br>6590 | 24 V AC/DC    | <b>6590 / 1</b> | 0,090        |
|                              | 48 V AC/DC    | <b>6590 / 2</b> | 0,090        |

# Zones 2, 21 & 22

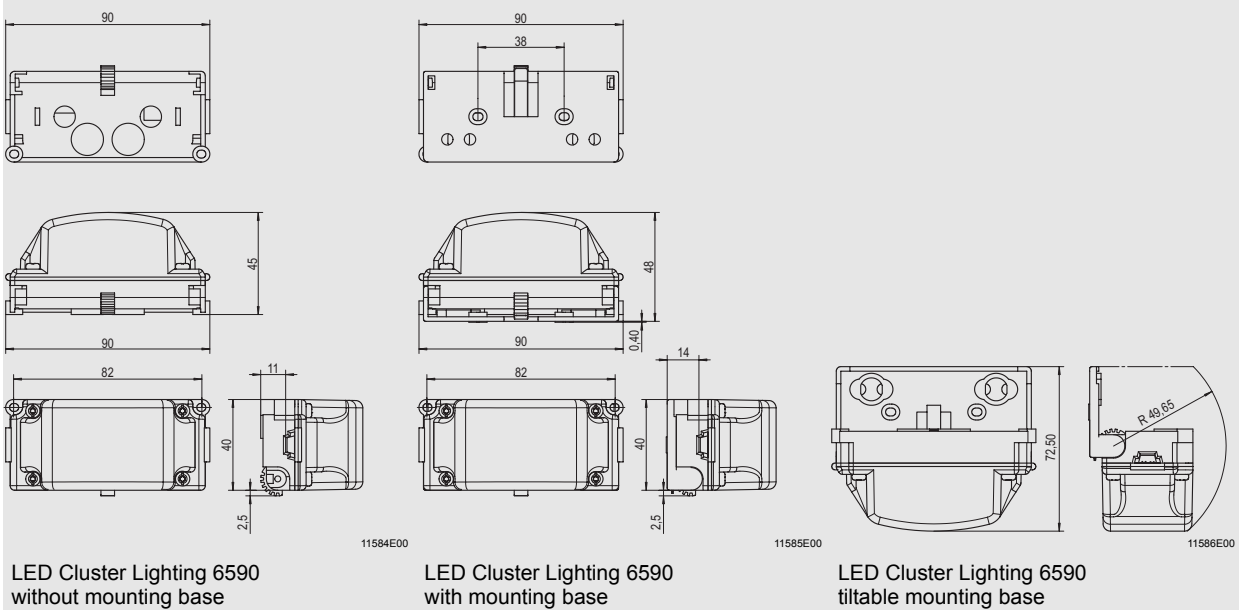
**Technical Data**

| Version                   | 6590/1 (24 V -Version)               | 6590/2 (48 V - Version)              |
|---------------------------|--------------------------------------|--------------------------------------|
| Explosion protection      |                                      |                                      |
| Gas explosion protection  | II 3G EEx nA T4                      | II 3G EEx nA T4                      |
| Staubexplosionsschutz     | II 3 D IP 65 T 70 °C                 | II 3 D IP 65 T 70 °C                 |
| Certificates              |                                      |                                      |
| Gas explosion protection  | applied for / Supplier's Declaration | applied for / Supplier's Declaration |
| Dust explosion protection | applied for / Supplier's Declaration | applied for / Supplier's Declaration |
| Rated working voltage     | 24 V AC / DC; 50 / 60 Hz             | 48 V AC / DC; 50 / 60 Hz             |
| Rated current             | 40 mA                                | 20 mA                                |
| Ambient temperature range | - 25 °C ... + 55 °C                  | - 25 °C ... + 55 °C                  |
| Degree of protection      | IP 66/67                             | IP 66/67                             |
| Protection class          | II                                   | II                                   |
| Material                  |                                      |                                      |
| Cover                     | Polycarbonate                        | Polycarbonate                        |
| Housing                   | Polyamide                            | Polyamide                            |
| Seals                     | EPDM                                 | EPDM                                 |

**Accessories and Spare Parts**

| Designation          | Illustration  | Description  | Ordering code       | Weight<br>kg |
|----------------------|---|--|---------------------|--------------|
| ASI cable            | <br>11587E00 | Connection lead, please ask for various lengths    | <b>659090870010</b> | 0,070 / m    |
| Sealing of end piece | <br>11588E00 | Seals to protect the last LED Cluster (10 pieces). | <b>659080950010</b> | 0,005        |

**Dimension drawings** (all dimensions in mm) - subject to alterations



We reserve the right to make alterations to the technical data, weights, dimensions, designs and products available without notice. The illustrations cannot be considered binding.

