



Installation Switch Series 8030

- Explosion protection to
 - CENELEC
 - IEC
- For use in
 - Zone 1 and Zone 2
 - Zone 21 and Zone 22
- Degree of protection IP 65
- Robust moulded plastic enclosure
- Large switch lever with phosphorescent inlaid strip

STAHL

The installation switches Series 8030 are used for lighting installations. For greater clarity when the lighting fails, a phosphorescent strip is inlaid in the switch lever.

The switch position is shown unambiguously by the 90° action. This is especially convenient if lights and switch are in different rooms.


Selection table																						
Version		Schematic	Ordering code	Weight kg																		
Installation Switch Series 8030	On-off-switch	<table border="1"> <tr><td>0°/360°</td><td>X</td><td>X</td></tr> <tr><td>90°</td><td>X</td><td>X</td></tr> <tr><td>180°</td><td></td><td></td></tr> <tr><td>270°</td><td>X</td><td>X</td></tr> </table> <p>13 23 14 24 08804E00</p>	0°/360°	X	X	90°	X	X	180°			270°	X	X	8030/51-033	0,600						
	0°/360°	X	X																			
90°	X	X																				
180°																						
270°	X	X																				
Changeover switch		<table border="1"> <tr><td>0°/360°</td><td>X</td><td>X</td></tr> <tr><td>60°</td><td>X</td><td></td></tr> <tr><td>120°</td><td>X</td><td></td></tr> <tr><td>180°</td><td>X</td><td>X</td></tr> <tr><td>240°</td><td>X</td><td></td></tr> <tr><td>300°</td><td>X</td><td>X</td></tr> </table> <p>11 23 12 24 08805E00</p>	0°/360°	X	X	60°	X		120°	X		180°	X	X	240°	X		300°	X	X	8030/51-035	0,615
0°/360°	X	X																				
60°	X																					
120°	X																					
180°	X	X																				
240°	X																					
300°	X	X																				

Zones 1 & 2, 21 & 22

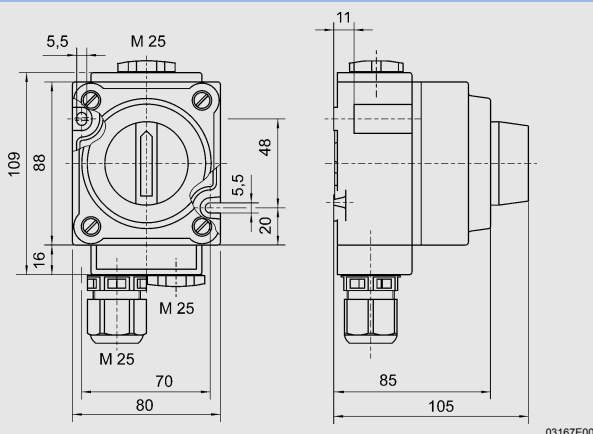
Technical Data

Explosion protection				
Gas explosion protection	⊕ II 2 G Ex de IIC T6			
Dust explosion protection	⊕ II 2 D Ex tD A21 IP65 T80 °C			
Certificates	PTB 02 ATEX 1026			
Other certificates	IECEX, FM (USA), BKI (Hungary), CTB (Russia)			
Enclosure material	Polyester, cover in polyamide			
Cover fixing	M 5, cheese head screws			
Rated operational voltage	690 V, AC ; 250 V, DC			
Switching capacity	AC	230 V / 400 V		
	AC 1	16 A		
	AC 11	6 A		
	DC	60 V -	110 V -	220 V / 250 V -
	DC 1	10 A	-	-
	DC 11	1 A	0.6 A	0.4 A
	L/R = 100 ms			
No. of poles	2-pole			
Service life	≥ 10 ⁶ operations			
Operating temperature range	- 50 °C ... + 60 °C			
Ingress protection	IP 65			
Terminals	finely stranded	1.5 mm ² ... 2.5 mm ²		
	single-wire	1.5 mm ² ... 4.0 mm ²		
Cable entry	1 x M 25 x 1.5 cable entries			
	2 x M 25 x 1.5 stopping plugs			

Accessories and spare parts

Designation	Illustration	Description	Ordering code	Weight kg	
On-off-switch switching component		2-pole for installation switches 8030/51 - 033	8008/2-033	0,128	
		Changeover for installation switches 8030/51 - 035	8008/2-035	0,128	
Cable gland		8161/5-M 25-17	1 piece	8161/5-M25-17	0,016

Dimension drawings (all dimension in mm) - subject to alterations



8030/51 Installation switch

We reserve the right to make alterations to the technical data, weights, dimensions, designs and products available without notice. The illustrations cannot be considered binding.

