



09352E00

Temperature Controller (Switching Capacity 5 A) Series 8040/1260-R5A

- Explosion protection
 - CENELEC
 - IEC
- Can be used
 - in Zone 1 and Zone 2
 - in Zone 21 and Zone 22
- Liquid filled measuring system
- Interruption when measuring system is leaking
- Expanded security in accordance with DIN 3440
- Enclosure made of glass fibre reinforced polyester resin

STAHL

The liquid filled measuring system changes its volume as a function of temperature changes. A two-way contact therefore is actuated by mechanical transmission.

The temperature controller is interrupted when the measuring system leaks. When the minimum sensor temperature is underflowed the contact opens also, but will reset itself when temperature rise.

Selection table				
Version	Schematic	Measuring range	Ordering code	Weight kg
8040/1260-R5A Temperature Controller		- 20 °C ... + 50 °C	8040 / 1260 -R5A / -20 . . . +50GradC	0,700
		0 °C ... + 120 °C	8040 / 1260 -R5A / 0 . . . +120GradC	0,700
		+ 50 °C ... + 300 °C	8040 / 1260 -R5A / +50 . . . +300GradC	0,700

09166E00

Zones 1 & 2, 21 & 22

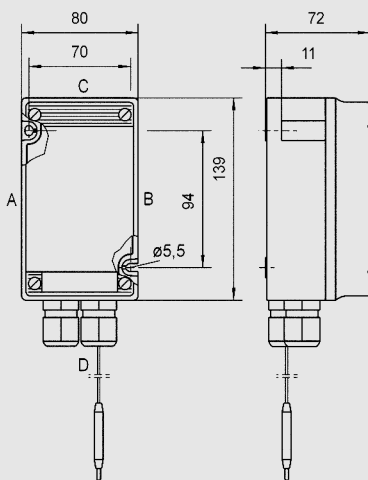
Temperature Controller (Switching Capacity 5 A) Series 8040/1260-R5A

9

Technical Data			
Measuring range	- 20 °C ... + 50 °C	0 °C ... + 120 °C	+ 50 °C ... + 300 °C
Explosion protection			
Gas explosion protection	⊕ II 2 G EEx ed IIC T6	⊕ II 2 G EEx ed IIC T6	⊕ II 2 G EEx ed IIC T6
Dust explosion protection	⊕ II 2 D IP66 T80 °C	⊕ II 2 D IP66 T80 °C	⊕ II 2 D IP66 T80 °C
Certificates			
Gas explosion protection	PTB 01 ATEX 1105	PTB 01 ATEX 1105	PTB 01 ATEX 1105
Dust explosion protection	LCIE 02 ATEX 6238	LCIE 02 ATEX 6238	LCIE 02 ATEX 6238
Material			
Housing	glass fibre reinforced polyester resin	glass fibre reinforced polyester resin	glass fibre reinforced polyester resin
Gaskets	Polyurethane, foamed	Polyurethane, foamed	Polyurethane, foamed
Sensor	VA 1.4571	VA 1.4571	VA 1.4571
Degree of protection	IP 65	IP 65	IP 65
Rated Voltage	max. 250 V, AC	max. 250 V, AC	max. 250 V, AC
Rated current	5 A	5 A	5 A
Capillar tube			
Length	1 m	1 m	1 m
Diameter	1,5 mm	1,5 mm	1,5 mm
Min. bending radius	5 mm	5 mm	5 mm
Sensor			
Diameter	6 mm	6 mm	6 mm
Length	129 mm	81 mm	51 mm
Contact	1 changeover	1 changeover	1 changeover
Setpoint accuracy	0 K ... + 3,5 K	0 K ... + 6 K	0 K ... + 12,5 K
Allowable temperature limits at the sensor			
Minimum	- 30 °C	- 10 °C	- 15 °C
Maximum	+ 60 °C	+ 140 °C	+ 345 °C
Ambient temperature	- 20 °C ... +50 °C	- 20 °C ... +50 °C	- 15 °C ... +50 °C
Terminal	4 x cage clamp terminal 2,5 mm ²		
Cable entry	1 x cable gland M 20 x 1,5 (bottom)		



Dimension drawings (all dimensions in mm) - subject to alterations



04797E00

8040/1260-R5A Temperature Controller (Switching Capacity 5 A)

We reserve the right to make alterations to the technical data, weights, dimensions, designs and products available without notice. The illustrations cannot be considered binding.