



01616E00

STAHL

Position switches are used to monitor the position of moving parts of machines and plant.

Can be used in safety circuits, as the device satisfies EN 60 947-5-1/DIN VDE 0660 part 200, and the opening contacts are positive opening. The position switch Series 8060 with positive opening contacts has been tested to the professional association test standard GS-ET 15 of the German Employer Liability Insurance Association, and is thus licensed for personnel protection functions.

Category 1 Safety position switches have contact and actuating element in a single constructional and functional unit.









Because of the galvanic isolation of the moving contacts, the position switch is suitable for switching various potentials.

Position Switches Series 8060

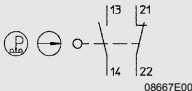
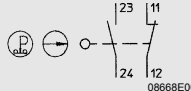
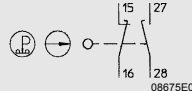
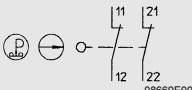
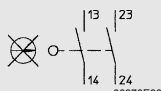
- Explosion protection to
 - CENELEC
 - IEC
- For use in
 - Zone 1 and Zone 2
 - Zone 21 and Zone 22
- Enclosures have protection class "increased safety"
- Dimensions and functional measurements to EN 50047
- Replaceable contact elements in flameproof enclosure
- Positive opening contacts
- Category 1 safety position switch with:
 - extended plunger
 - roller lever plunger
 - roller lever
 - adjustable roller lever plunger
 - angled roller lever plunger
 - actuating rod
- All attachments can be displaced through 4 x 90°
- Contact elements with snapaction contact, with slow-action contact or overlapping slow-action contact
- Design also possible with cable already attached

Zones 1 & 2, 21 & 22






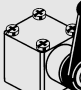
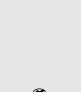


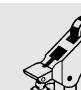

Selection table				
Version	Actuator		Ordering code	Weight kg
 09386E00	Extended plunger	Plunger of moulded plastic	8060/1-.-S	0,069
 09387E00	Roller plunger	Roller of moulded plastic	8060/1-.-RS	0,073
 09388E00	Roller lever, Form E	Roller of moulded plastic	8060/1-.-AR	0,074
 09389E00	Roller lever, Form A	Roller of moulded plastic	8060/1-.-R	0,085
 09390E00	Adjustable roller lever	Roller of moulded plastic Roller rod of stainless steel	8060/1-.-V	0,104
 09391E00	Actuating rod	Rod of moulded plastic No positively opening operation, not suitable for safety circuits!	8060/1-.-H	0,097
 09392E00	Spring-rod actuator	Spring of stainless steel Only for use with snap-action contact! No positively opening operation, not suitable for safety circuits!	8060/1-2-F	0,085
 09393E00	Angled roller lever	Roller of moulded plastic	8060/1-.-WR	0,074
Add. to ordering code				
Switching function	1 NC + 1 NO	Slow-action contact	8060/1-1-...	
	1 NC + 1 NO	Snap-action contact	8060/1-2-...	
	2 NC	Slow-action contact	8060/1-3-...	
	2 NO	Slow-action contact	8060/1-4-...	
	1 NC + 1 NO	Slow-action contact, overlapping	8060/1-5-...	
			Design with cable	8060/1-.-...-K
Note	Actuating heads enclosed are not mounted			

Technical Data

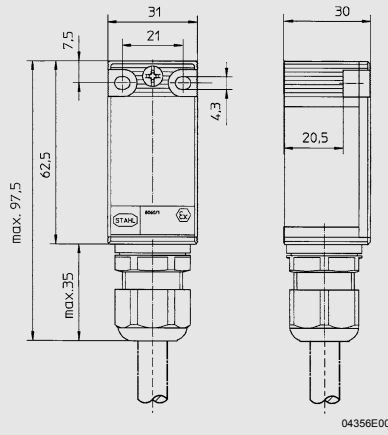
Explosion protection					
Gas explosion protection	⊕ II 2 G EEx ed IIC T6				
Dust explosion protection	⊕ II 2 D IP65 T80 °C				
Certificates					
Gas explosion protection	PTB 01 ATEX 1052				
Dust explosion protection	LCIE 03 ATEX 6307				
Other certificates	IECEX				
Rated operational voltage U_e	8060/1-1 8060/1-2 8060/1-5		8060/1-3 8060/1-4		
Alternating current for equal potential:	max. 500 V		max. 400 V		
Alternating current for unequal potential:	max. 250 V		max. 250 V		
Direct current:	250 V		250 V		
Rated working current I_e	max. 10 A				
Switching capacity	AC 12		AC 15		DC 12
	8060/1-1 8060/1-2 8060/1-5	8060/1-3 8060/1-4	8060/1-1 8060/1-2 8060/1-5	8060/1-3 8060/1-4	8060/1-.
	max. 250 V max. 500 V **)	max. 250 V max. 400 V **)	max. 250 V max. 500 V **)	max. 250 V max. 400 V **)	max. 125 V max. 10 A max. 400 W
	max. 10 A max. 5000 VA	max. 10 A max. 4000 VA	max. 10 A max. 1000 VA	max. 10 A max. 1000 VA	
	**) only at the same potential				
Rated isolation voltage	550 V				
Rated impulse withstand voltage	6 kV				
Back-up fuse	10 A gL / gG				
Contact block					
Version	Slow-action contact	Snap-action contact	Slow-action contact, overlapping		
					
	8060/1-1	8060/1-2	8060/1-5		
		Attention: Functions positive opening ⊖ and operator safety ⊕ depend on actuating head used			
	8060/1-3				
					
	8060/1-4				
Contact arrangement	2-pole, galvanically isolated, with double break action				
Clearance between open contacts	≥ 1,5 mm (Clearance distance ≥ 3 mm)				
Contacts	Silver-Nickel				
Life					
mechanical	max. 10 ⁶ Operations				
electrical	max. 10 ⁶ Operations				
Enclosure contact block	Polyamide, glass fibre-reinforced				
Ambient temperature	- 20 °C ... + 70 °C (6 A)				
Degree of protection	IP 65				
Enclosure	Polyamide, glass fibre-reinforced; black				
Cable glands	Cable entry 8161, M 20 x 1,5				
Connection	With cable entry 8161: For sheathed cable 4 x 2,5 mm ² , Ø 6 - 13 mm; recommended 4 x 1,5 mm ²				
	With mounted cable: Sheathed cable HK-SO-X05VV-F-OZ 4 x 1,5 mm ² , cable length 6 m				
Terminals	1 x 2,5 mm ² (solid) or 2 x 1 mm ² (flexible)				
Mechanical shock resistance	Snap-action contact: 2 g Slow-action contact: 20 g				



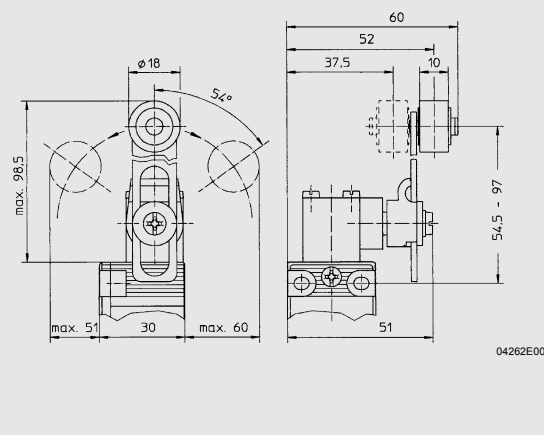
Accessories and spare parts

Designation	Illustration	Ordering code	Weight kg
Actuating head	 05662E00	Extended plunger 8060/1- . -S	8060001170 0,016
	 05663E00	Roller plunger 8060/1- . -RS	8060002170 0,019
	 05664E00	Roller lever, Form E 8060/1- . -AR	8060003170 0,020
	 05665E00	Roller lever, Form A 8060/1- . -R	8060004170 0,034
	 05666E00	Adjustable roller lever 8060/1- . -V	8060005170 0,052
	 05667E00	Actuating rod 8060/1- . -H	8060006170 0,045
	 05668E00	Spring-rod actuator 8060/1- 2 -F Only for use with snap-action contact!	8060007170 0,034
	 05669E00	Angled roller lever 8060/1- . -WR	8060008170 0,021
Contact block	 10909E00	1 NC + 1 NO Slow-action contact 8060/1-1	8080010600 0,025
		1 NC + 1 NO Snap-action contact 8060/1-2	8080012600 0,025
		2 NC Slow-action contact 8060/1-3	8080013600 0,025
		2 NO Slow-action contact 8060/1-4	8080014600 0,025
		1 NC + 1 NO Slow-action contact, overlapping 8060/1-5	8080015600 0,025

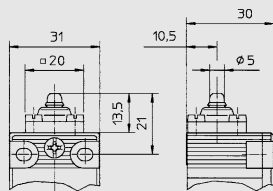
Dimension drawings (all dimensions in mm) - subject to alterations



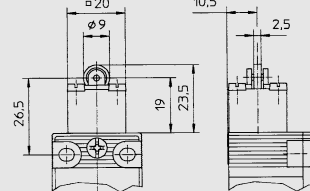
8060/1- . -OV
Position switch without actuating head



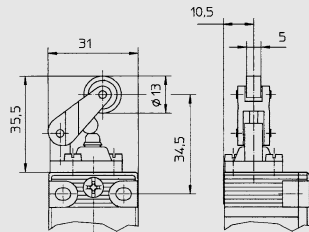
8060/1- . -V
Adjustable roller lever



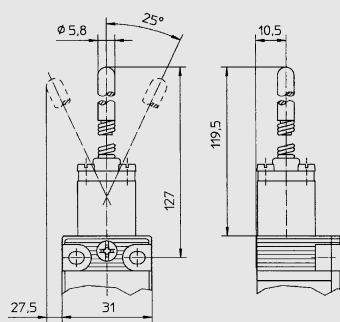
8060/1- . -S
Extended plunger



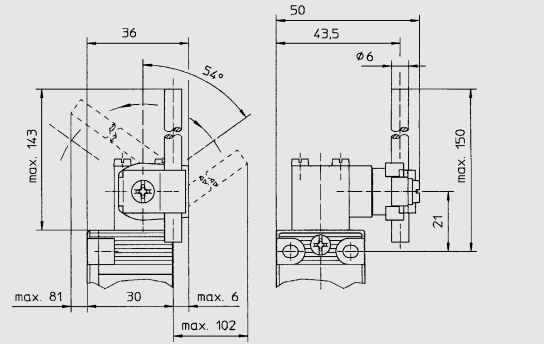
8060/1- . -RS
Roller plunger



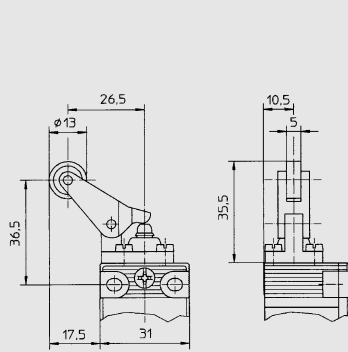
8060/1- . -AR
Roller lever, Form E



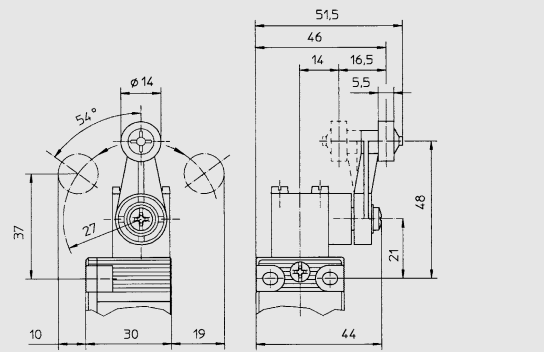
8060/1- 2 -F
Spring-rod lever



8060/1- . -H
Actuating rod



8060/1- . -WR
Angled roller lever



8060/1- . -R
Roller lever, Form A

STAHL

We reserve the right to make alterations to the technical data, weights, dimensions, designs and products available without notice. The illustrations cannot be considered binding.

