

10166E00

STAHL

Series 8146 enclosures of glass-fibre reinforced polyester resin and Series 8125 and Series 8126 enclosures of high grade steel are used in larger control stations and control station combinations. Spezial sizes are on request available.

The reliable enclosure, whose „increased safety“ rating is further enhanced by the fitting of our own innovative electrical components, prove their quality by meeting the highest safety requirement.

Your partner for flexible order processing

With more than 25 years experience in the branch, we are accustomed to manufacturing control and electrical cabinets that fulfil the demanding requirements of explosion protection specifications. Naturally, we provide complete documentation including all certification for the equipment. Delivery includes factory-built equipment systems with a conformity declaration for Zone 1 and certified to 94/9/EG (ATEX), or respectively, equipment systems declared in accordance with EN 50 021 for Zone 2 and 22.

Enclosures for Fieldstations Series 8125, 8126 and 8146 (customer-specific)

- Enclosure versions
 - 8126: Stainless steel 1.4301 (V2A), Polyester resin
 - 8125: Stainless steel 1.4571 (V4A)
 - 8146: Polyester resin
- Protection IP 66
- „Increased safety“ certified Ex II 2 G EEx e II according to 94/9/EG (ATEX)
- Installation in
 - Zone 1 or Zone 2
 - Zone 1 or Zone 2
 - Non Ex

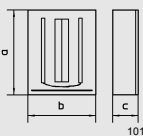
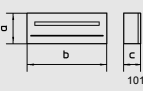
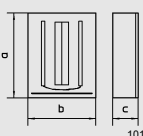
Installation of EEx de modules:

- Small fuse base
- Interface relay
- Isolating terminal
- Indicator lamp
- Push button
- Illuminated push button
- Heater
- Temperature controller
- etc.

Services

- Consulting
- Engineering and project management
- Manufacturing logistics and manufacturing control
- System testing and factory acceptance test
- Documentation
- Parameterisation
- Software applications
- Commissioning support and instruction
- On-site service

Zones 1 & 2, 21 & 22

Selection table									
Version		Dimensions [mm]	Max. number of cable glands	Number of slots	Ordering code				
Enclosure • for IS1 System • stainless steel 1.4301 (V2A), brushed finish • Zone 1 or Zone 2 • IP 66 • Cam lock	 see dimensions graphic A	a 1200 b 800 c 300	124 x M 20 2 x M 32 1 x M 25 **)	empty for 2 x 10 modules *)	8126 / -495-4 8126/5495-4				
		a 1000 b 800 c 300	124 x M 20 2 x M 32 1 x M 25 **)	empty for 2 x 8 modules *)	8126 / -408-4 8126/5408-4				
		a 760 b 760 c 300	116 x M 20 2 x M 32 1 x M 25 **)	empty for 2 x 6 modules *)	8126 / -407-4 8126/5407-4				
		a 760 b 600 c 210	70 x M 20 2 x M 32 1 x M 25 **)	empty for 2 x 6 modules *)	8126 / -406-4 8126/5406-4				
		a 787 b 480 c 230	66 x M 20 2 x M 32 1 x M 25 **)	empty for 2 x 6 modules *)	8126 / -496-4 8126/5496-4				
		a 600 b 600 c 210	70 x M 20 2 x M 32 1 x M 25 **)	empty for 2 x 4 modules	8126 / -405-4 8126/5405-4				
		Enclosure • for IS1 System • stainless steel 1.4301 (V2A), brushed finish • Zone 1 or Zone 2 • IP 66 • Cam lock	 see dimensions graphic B	a 360 b 1300 c 230	153 x M 20 2 x M 32 1 x M 25 **)	empty for 12 modules *)	8126 / -494-4 8126/5494-4		
				a 360 b 1100 c 230	142 x M 20 2 x M 32 1 x M 25 **)	empty for 10 modules *)	8126 / -493-4 8126/5493-4		
				a 360 b 900 c 230	99 x M 20 2 x M 32 1 x M 25 **)	empty for 8 modules	8126 / -492-4 8126/5492-4		
				a 360 b 750 c 230	88 x M 20 2 x M 32 1 x M 25 **)	empty for 6 modules	8126 / -491-4 8126/5491-4		
				a 360 b 550 c 230	60 x M 20 2 x M 32 1 x M 25 **)	empty for 4 modules	8126 / -490-4 8126/5490-4		
				Enclosure • for IS1 System • Polyester resin, glass fibre reinforced • Zone 1 or Zone 2 • IP 66 • Cam lock	 see dimensions graphic C	a 600 b 600 c 200	57 x M 20 2 x M 32 1 x M 25 **)	empty for 2 x 4 modules	8126 / -206-3 8126/5206-3
						a 800 b 600 c 300	109 x M 20 2 x M 32 1 x M 25 **)	empty for 2 x 6 modules *)	8126 / -208-3 8126/5208-3
						a 1000 b 800 c 300	66 x M 20 2 x M 32 1 x M 25 **)	empty for 2 x 8 modules *)	8126 / -209-3 8126/5209-3
						Note *) max. 8 I/O modules are allowed for Zone 1 **) option for breather Dimensions incl. BusRail and Bus bar for cable screens			



Selection table					
Version		Dimensions [mm]	Max. number of cable glands	Number of slots	Ordering code
Enclosure • for IS1 System • stainless steel 1.4571 (V4A), electro polished • Zone 1 or Zone 2 • IP 66 • cover fixing by screws, cover hinges available	 10165E00 see dimensions graphic D	a 730	157 x M 20	empty	8125/ -917 -2
		b 730	2 x M 32	for 2 x 6 modules *)	8125/8917 -2
		c 290	1 x M 25 **)		
	 10164E00 see dimensions graphic E	a 543,5	72 x M 20	empty	8125/ -585 -2
		b 543,5	2 x M 32	for 2 x 4 modules	8125/5585 -2
		c 190	1 x M 25 **)		
Enclosure • for IS1 System • Polyester resin, glass fibre reinforced • Zone 1 or Zone 2 • IP 66 • cover fixing by screws, cover hinges available	 10164E00 see dimensions graphic F	a 360	104 x M 20	empty	8125/ -095 -2
		b 727	2 x M 32	for 6 modules	8125/5095 -2
		c 190	1 x M 25 **)		
	 10163E00 see dimensions graphic G	a 340,5	55 x M 20	empty	8146/095 -3
		b 681,5	2 x M 32	for 6 modules	8146/5095 -3
		c 190	1 x M 25 **)		
		a 676		for 4 + 6 modules *)	8146/5000 -3
		b 681,5			
		c 190			

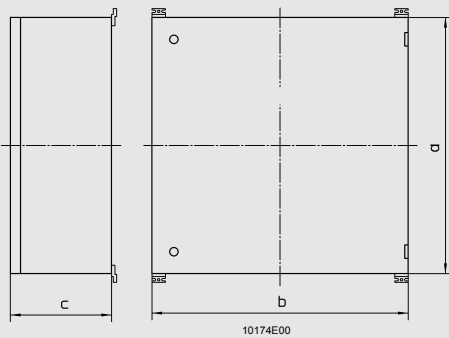
Note *) max. 8 I/O modules are allowed for Zone 1

**) option for breather

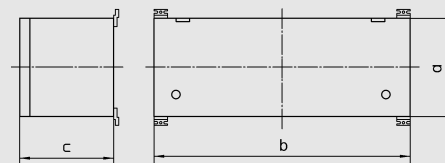
Dimensions incl. BusRail and Bus bar for cable screens



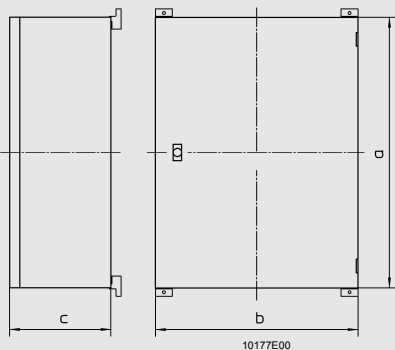
Dimension drawings (all dimensions in mm) - subject to alterations



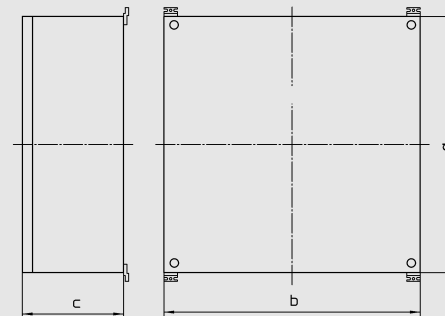
Graphic A



Graphic B

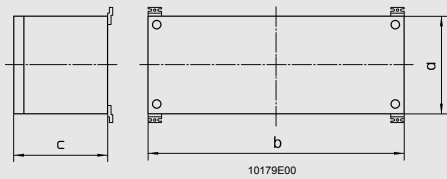


Graphic C

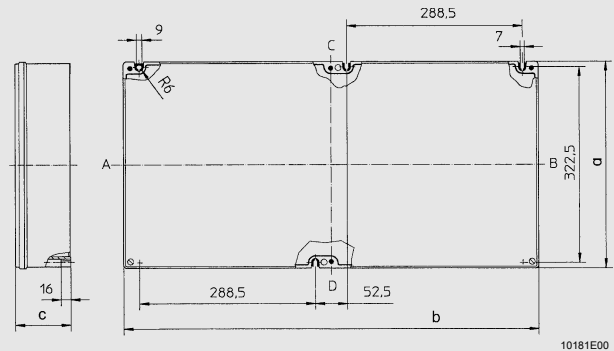


Graphic D

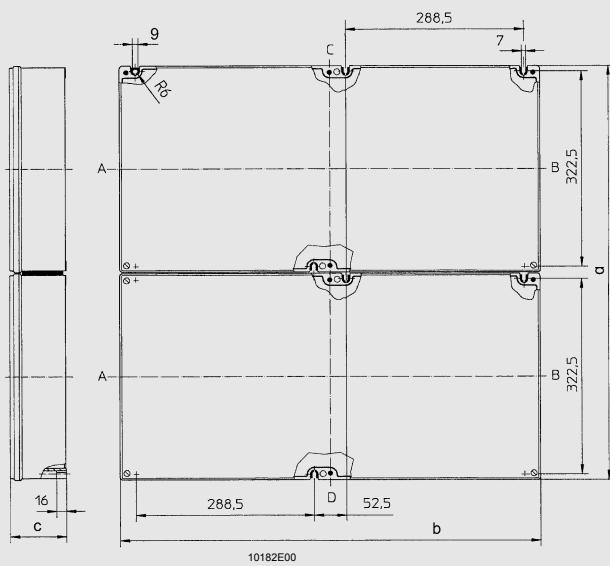
Dimension drawings (all dimensions in mm) - subject to alterations



Graphic E

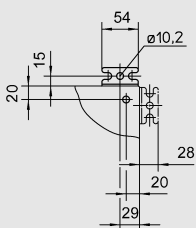


Graphic F

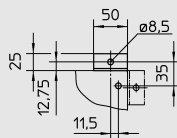


Graphic G

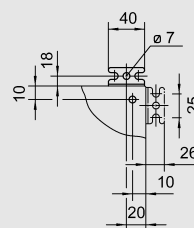
Fixing dimensions for



Graphics A and B



Graphic C



Graphics D and E

We reserve the right to make alterations to the technical data, weights, dimensions, designs and products available without notice. The illustrations cannot be considered binding.

