



06520E00

Standard Lighting and Heating Panels Series 8146

- Explosion protection to
 - CENELEC
 - IEC
- Can be used in
 - Zone 1 and Zone 2
 - Zone 21 and Zone 22
- Available versions
 - With MCB, tripping characteristics C
 - With MCB / ELCB, tripping characteristics B or C
- Advantages
 - Installation of the miniature circuit-breakers under hinged inspection windows
 - Operation of the breakers externally
 - Switch setting visible at all times
 - Operation under voltage
 - Short time of delivery

STAHL

The standard distribution panels are built with MCB's ex stock. The following data sheet shows versions with 16A nominated current only. Others with 10, 20, 25 A are also available. These distribution panels are deliverable within 2 weeks ex works!

Technical Data

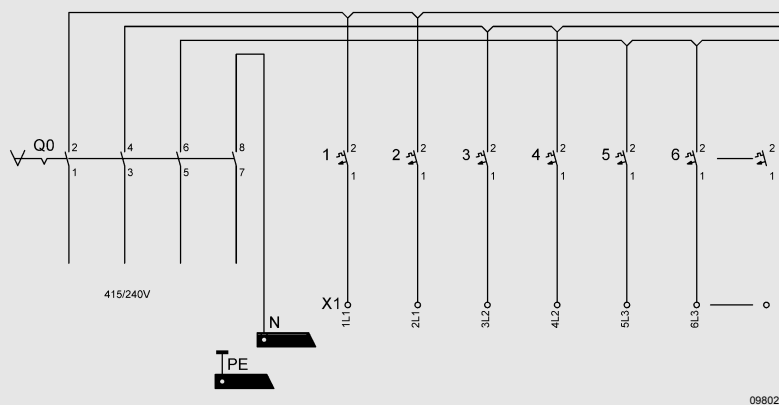
Explosion protection	
Gas explosion protection	⊕ II 2 G EEx ed IIC T4
Dust explosion protection	⊕ II 2 D IP66 T130 °C
Certificates	
Gas explosion protection	PTB 01 ATEX 1024
Dust explosion protection	LCIE 02 ATEX 6241
Other certificates	IECEX
Rated voltage	415 V / 240 V, AC
Rated current	80 A
Terminal cross sections	
flexible leads	35 mm ²
Ambient temperature	- 20 °C ... + 40 °C
Degree of protection	IP 66 (EN 60529)
Enclosure material	Polyester resin, dark grey similar to RAL 7024, impact strength ≥ 7 Nm, surface resistance $\leq 10^9$ Ohm. Material self-extinguishing and flame resistant

Zones 1 & 2, 21 & 22

Selection table

Version	MCB		Layout No.	Cable entries	Ordering code
	Quantity	Characteristics			
Lighting panels with MCB 1 pole 16 A wiring on terminal blocks	6	C	01	1 x M 40, 6 x M 25, 1 x M 16	8146/5-ExV-01-06L16C1P-T
	12	C	02	1 x M 50, 12 x M 25, 1 x M 16	8146/5-ExV-02-12L16C1P-T
	18	C	03	1 x M 50, 18 x M 25, 1 x M 16	8146/5-ExV-03-18L16C1P-T
	24	C	04	1 x M 50, 24 x M 25, 1 x M 16	8146/5-ExV-04-24L16C1P-T

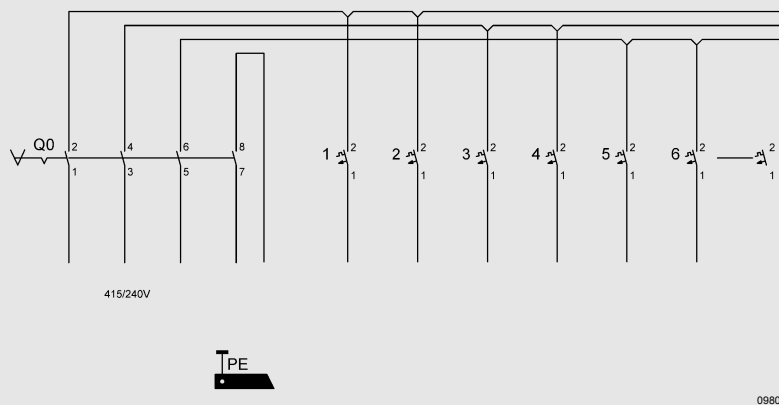
Schematic



Selection table

Version	MCB		Layout No.	Cable entries	Ordering code
	Quantity	Characteristics			
Lighting panels with MCB 1-pole 16 A mattress wiring	6	C	06	1 x M 40, 6 x M 25, 1 x M 16	8146/5-ExV-06-06L16C1P-D
	12	C	07	1 x M 50, 12 x M 25, 1 x M 16	8146/5-ExV-07-12L16C1P-D

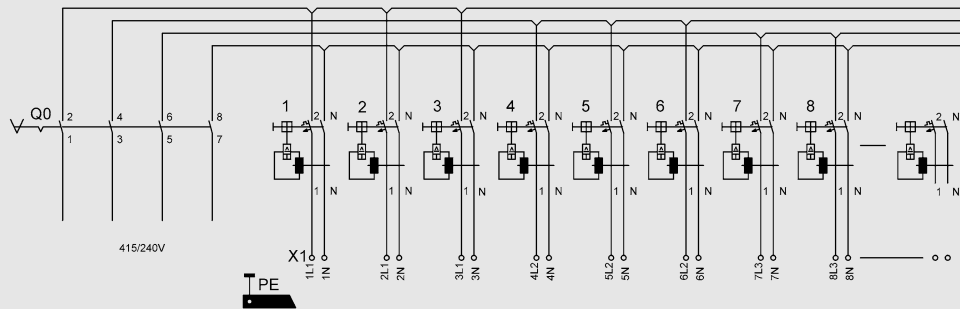
Schematic



Selection table

Version	MCB / ELCB		Layout No.	Cable entries	Ordering code
	Quantity	Characteristics			
Heating panels with MCB / ELCB 1 pole + N 16 A / 30 mA wiring on terminal blocks	8	B	02	1 x M 40, 8 x M 25, 1 x M 16	8146/5-ExV-02-08H16B1N-T
	12	B	03	1 x M 50, 12 x M 25, 1 x M 16	8146/5-ExV-03-12H16B1N-T
	24	B	05	1 x M 50, 24 x M 25, 1 x M 16	8146/5-ExV-05-24H16B1N-T
	8	C	02	1 x M 40, 8 x M 25, 1 x M 16	8146/5-ExV-02-08H16C1N-T
	12	C	03	1 x M 50, 12 x M 25, 1 x M 16	8146/5-ExV-03-12H16C1N-T
	24	C	05	1 x M 50, 24 x M 25, 1 x M 16	8146/5-ExV-05-24H16C1N-T

Schematic

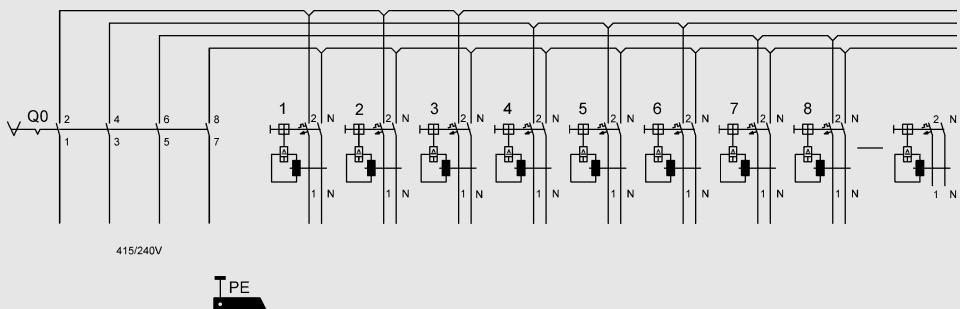


09801E00

Selection table

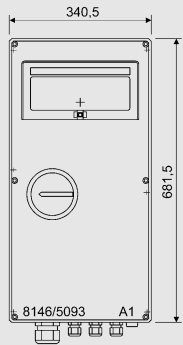
Version	MCB / ELCB		Layout No.	Cable entries	Ordering code
	Quantity	Characteristics			
Heating panels with MCB / ELCB 1 pole + N 16 A / 30 mA mattress wiring	8	B	07	1 x M 40, 8 x M 25, 1 x M 16	8146/5-ExV-07-08H16B1N-D
	8	C	07	1 x M 40, 8 x M 25, 1 x M 16	8146/5-ExV-07-08H16C1N-D

Schematic



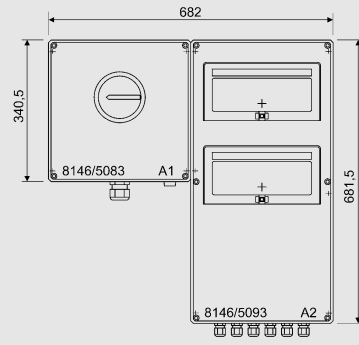
09803E00

Dimension drawings (all dimensions in mm) - subject to alterations

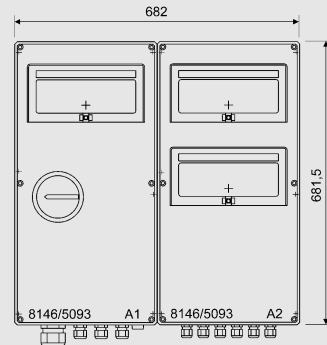


10296E00

Layout 01



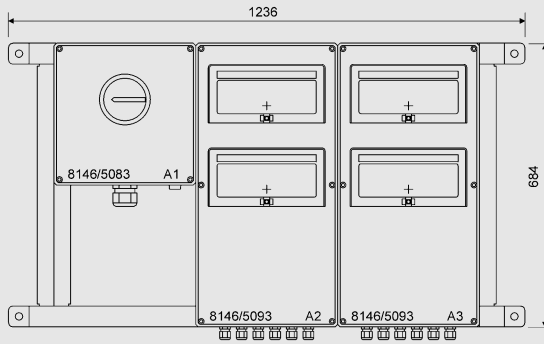
Layout 02



10297E00

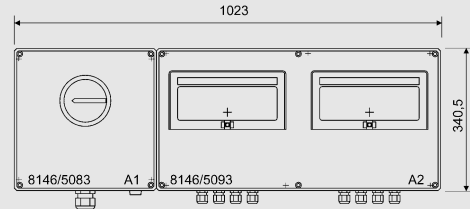
10298E00

Layout 03



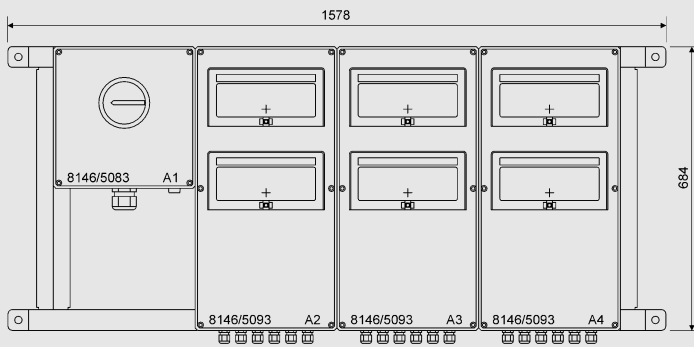
10299E00

Layout 04



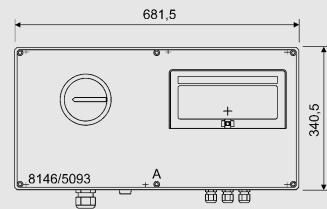
10302E00

Layout 05



10301E00

Layout 06



10300E00

Layout 07

