



10023E00

#### Ammeters and Voltmeters for Panel Mounting Series 8218

Available with moving coil or moving iron movement for DC or AC measurement. They are fitted into series 8218 Ex d enclosures and are suitable for panel mounting.

#### Selection table

Version	Instrument	Measuring unit	Measuring ranges (standard series)	Ordering code	Weight
					kg
8218 Ammeter/Voltmeter	Moving coil instrument ammeter	$\mu\text{A}$	40, 60, 100, 150, 250, 400, 600 $\mu\text{A}$	8218/311-5-S08-...	1,300
		mA	1, 1,5, 2,5, 4, 6, 10, 15, 20, 25, 40, 60, 100, 150, 250, 400, 600 mA		
		A	1, 1,5, 2,5, 4, 6, 10 A		
	Moving coil instrument voltmeter	mV	25, 40, 60, 100, 150, 250, 400, 600 mV	8218/311-5-S08-...	1,300
V		1, 1,5, 2,5, 4, 6, 10, 15, 25, 40, 60, 100, 150, 250, 400, 600 V			
	Moving iron instrument ammeter	mA	100, 150, 250, 400, 600 mA	8218/311-5-S09-...	1,300
		A	1, 1,5, 2,5, 4, 6, 10, 15, 25, 40 A n/1, n/5 current transformer		
	Moving iron instrument voltmeter	V	6, 10, 15, 25, 40, 60, 100, 150, 250, 400 V	8218/311-5-S09-...	1,300

#### Add. to ordering code

Complete type no. with measurement range  
Example: 8218/311 - 5 - S08 - 20 mA

#### Technical Data

Explosion protection	⊕ II 2 G EEx de IIC T6							
Certificates	PTB 02 ATEX 1105							
Other certificates	IECEX							
Enclosure material	Polyester resin; colour dark grey, RAL 7024							
Front plate size	96 x 96 mm							
Movement	for DC measurement, class 1,5							
<b>Ammeter</b>								
Insulation voltage	650 V							
Internal resistance	I [ $\mu\text{A}$ ]	40	60	100	150	250	400	600
	R <sub>i</sub> [ $\Omega$ ]	2800	2700	2750	2750	1050	450	170
	for higher currents see selection table							
<b>Voltmeter</b>								
Insulation voltage	650 V							
Internal resistance	R <sub>i</sub> approx. 1000 $\Omega/\text{V}$							

### Technical Data

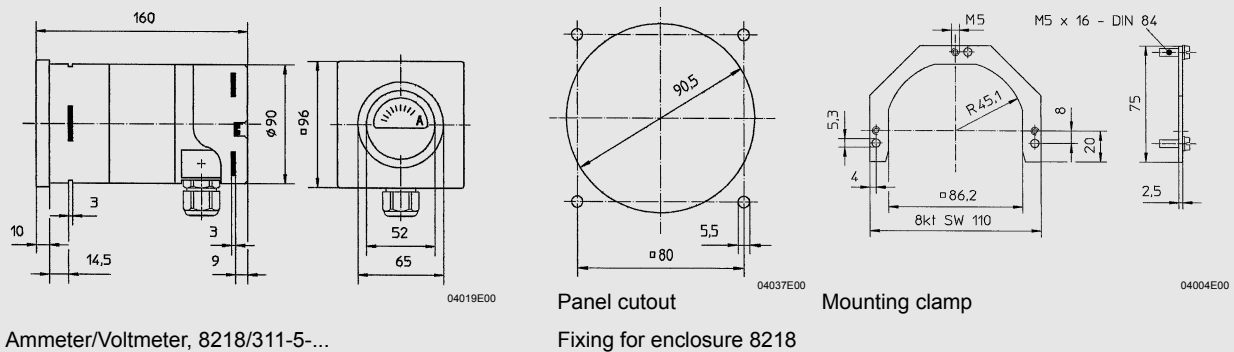
#### Moving iron instrument

Measurement	for DC measurement, class 1,5
Insulation voltage	650 V
Measuring ranges	see selection table
Power consumption	0,1 ... 5 VA
Frequency	15 - 100 Hz
Overload scale	Ammeter: 2 times
Operating temperature range	- 15 °C ... + 40 °C

#### Mechanical data

Degree of protection	IP 65
Flexible lead	max. 1,5 mm <sup>2</sup> flexible/solid
Cable entries	1 x M 20 x 1,5 cable gland

### Dimension drawings (all dimensions in mm) - subject to alterations



We reserve the right to make alterations to the technical data, weights, dimensions, designs and products available without notice. The illustrations cannot be considered binding.

