



01731E00

### Standard Motor Starters Series 8225

- Explosion protection to
  - CENELEC
  - IEC
- Can be used in
  - Zone 1 and Zone 2
  - Zone 21 and Zone 22
- Enclosures with Ex d protection and connection chambers with Ex e protection
- Available standard motor starters:
  - Direct-on-line motor starters DOL
  - Star-delta starters YD
  - Reversing starter combinations
- Advantage
  - Short time of delivery

STAHL

The standard motor starters are fitted in flameproof enclosures. As standard the starters are supplied without main switch, main fuses and without control and monitoring devices. These parts can however be fitted to order.

# Zones 1 & 2, 21 & 22



## Standard Motor Starters Star-Delta Starters YD Series 8225

### Technical Data

#### Explosion protection

- Gas explosion protection  $\text{Ex d}$  II 2 G EEx de IIC T6
- Dust explosion protection  $\text{Ex t}$  II 2 D IP66 T80 °C, T95 °C

#### Certificates

- Gas explosion protection PTB 02 ATEX 1109
- Dust explosion protection PTB 02 ATEX 1109

#### Other certificates

- IECEX
- Rated voltage 400 V, AC
- Control voltage 230 V, AC
- Ambient temperature - 20 °C ... + 40 °C

#### Degree of protection

IP 55 (upon request: IP 65)

#### Enclosure material

Sheet steel, cover: diecasting alloy / stainless steel

#### Colour

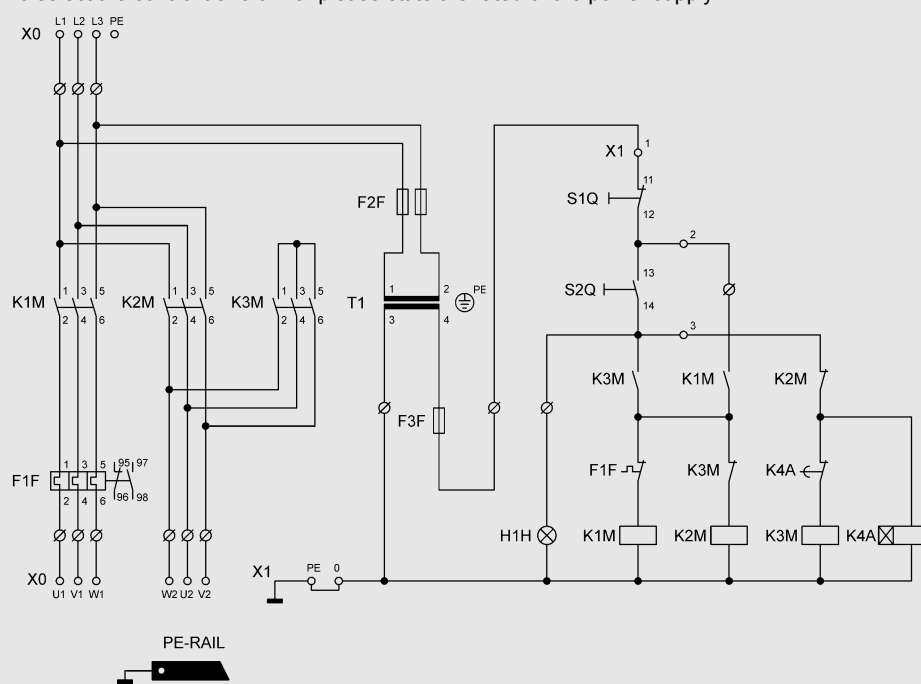
Enclosure: grey, RAL 7032, cover: dark grey, RAL 7022

#### Note

#### Description:

Contact combination for switching on and off of motor circuits and ohmic consumers. With thermal excess-current release, design with control transformer acc. to EN 60 204. To select the control transformer please state the rated of the power supply.

#### Schematic



09806E00

### Star-delta contactor starters YD

#### Selection table

Breaking capacity 400 V AC3	Ex d Enclosure	Cross section for connection		Cable entries, bottom			Ordering code
11 kW	8225/122	4 x 6 mm <sup>2</sup>	6 x 4 mm <sup>2</sup>	3 x M 32	2 x M 25		8225/5-SL-SS11kW400V-T
15 kW	8225/122	4 x 6 mm <sup>2</sup>	6 x 4 mm <sup>2</sup>	3 x M 32	2 x M 25		8225/5-SL-SS15kW400V-T
18,5 kW	8225/122	4 x 6 mm <sup>2</sup>	6 x 4 mm <sup>2</sup>	3 x M 32	2 x M 25		8225/5-SL-SS18,5kW400V-T
22 kW	8225/122	4 x 10 mm <sup>2</sup>	6 x 6 mm <sup>2</sup>	3 x M 32	2 x M 25		8225/5-SL-SS22kW400V-T
30 kW	8225/172	4 x 16 mm <sup>2</sup>	6 x 6 mm <sup>2</sup>	3 x M 40	2 x M 25		8225/5-SL-SS30kW400V-T
37 kW	8225/172	4 x 35 mm <sup>2</sup>	6 x 10 mm <sup>2</sup>	3 x M 40	2 x M 25		8225/5-SL-SS37kW400V-T
45 kW	8225/132	4 x 35 mm <sup>2</sup>	6 x 16 mm <sup>2</sup>	1 x M 50	2 x M 40	2 x M 25	8225/5-SL-SS45kW400V-T
55 kW	8225/132	4 x 50 mm <sup>2</sup>	6 x 35 mm <sup>2</sup>	1 x M 50	2 x M 40	2 x M 25	8225/5-SL-SS55kW400V-T
75 kW	8225/132	4 x 50 mm <sup>2</sup>	6 x 35 mm <sup>2</sup>	1 x M 50	2 x M 40	2 x M 25	8225/5-SL-SS75kW400V-T
90 kW	8225/133	4 x 95 mm <sup>2</sup>	6 x 50 mm <sup>2</sup>	1 x M 63	2 x M 40	2 x M 25	8225/5-SL-SS90kW400V-T
110 kW	8225/133	4 x 150 mm <sup>2</sup>	6 x 95 mm <sup>2</sup>	1 x M 63	2 x M 50	2 x M 25	8225/5-SL-SS110kW400V-T
132 kW	8225/133	4 x 150 mm <sup>2</sup>	6 x 95 mm <sup>2</sup>	1 x M 63	2 x M 50	2 x M 25	8225/5-SL-SS132kW400V-T
160 kW	8225/196	4 x 240 mm <sup>2</sup>	6 x 150 mm <sup>2</sup>	3 x M 63	2 x M 25		8225/5-SL-SS160kW400V-T
200 kW	8225/196	4 x 240 mm <sup>2</sup>	6 x 150 mm <sup>2</sup>	3 x M 63	2 x M 25		8225/5-SL-SS200kW400V-T

## Technical Data

### Explosion protection

- Gas explosion protection  $\text{Ex}$  II 2 G EEx de IIC T6
- Dust explosion protection  $\text{Ex}$  II 2 D IP66 T80 °C, T95 °C

### Certificates

- Gas explosion protection PTB 02 ATEX 1109
- Dust explosion protection PTB 02 ATEX 1109

### Other certificates

IECEX

### Rated voltage

400 V, AC

### Control voltage

230 V, AC

### Ambient temperature

- 20 °C ... + 40 °C

### Degree of protection

IP 55 (upon request: IP 65)

### Enclosure material

Sheet steel, cover: diecasting alloy / stainless steel

### Colour

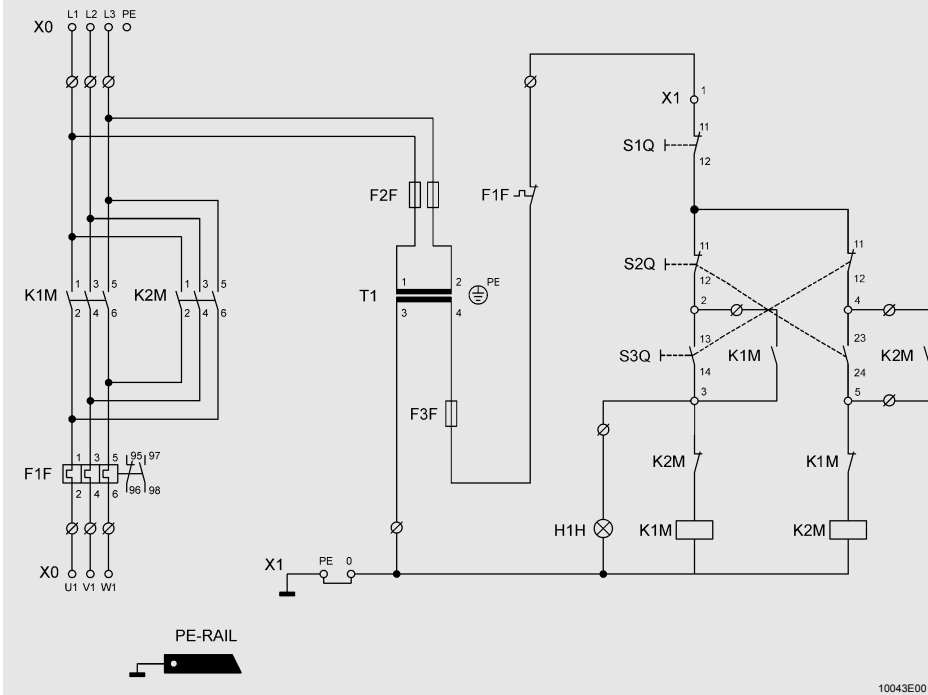
Enclosure: grey, RAL 7032, cover: dark grey, RAL 7022

### Note

Description:

Contactor combination for changing direction of rotation of motor circuits.  
With thermal excess-current release, design with control transformer acc. to EN 60 204.  
To select the control transformer please state the rated voltage of the power supply.

### Schematic



10043E00

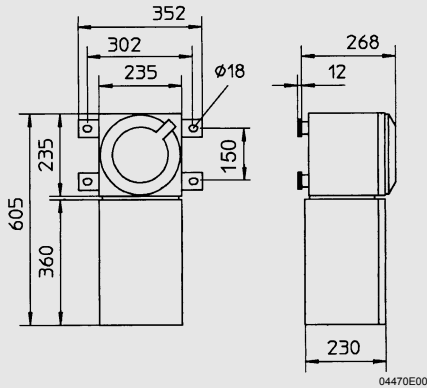
## Reversing starter combinations

### Selection table

Breaking capacity 400 V AC3	Ex d Enclosure	Cross section for connection		Cable entries, bottom			Ordering code
5,5 kW	8225/122	4 x 6 mm <sup>2</sup>	3 x 4 mm <sup>2</sup>	2 x M 32	2 x M 25		8225/5-SL-WS5,5kW400V-T
7,5 kW	8225/122	4 x 6 mm <sup>2</sup>	3 x 4 mm <sup>2</sup>	2 x M 32	2 x M 25		8225/5-SL-WS7,5kW400V-T
11 kW	8225/122	4 x 10 mm <sup>2</sup>	3 x 6 mm <sup>2</sup>	2 x M 32	2 x M 25		8225/5-SL-WS11kW400V-T
15 kW	8225/122	4 x 16 mm <sup>2</sup>	3 x 6 mm <sup>2</sup>	2 x M 32	2 x M 25		8225/5-SL-WS15kW400V-T
18,5 kW	8225/122	4 x 16 mm <sup>2</sup>	3 x 10 mm <sup>2</sup>	2 x M 32	2 x M 25		8225/5-SL-WS18,5kW400V-T
22 kW	8225/122	4 x 35 mm <sup>2</sup>	3 x 16 mm <sup>2</sup>	1 x M 40	1 x M 32	2 x M 25	8225/5-SL-WS22kW400V-T
30 kW	8225/122	4 x 35 mm <sup>2</sup>	3 x 16 mm <sup>2</sup>	1 x M 40	1 x M 32	2 x M 25	8225/5-SL-WS30kW400V-T
37 kW	8225/122	4 x 50 mm <sup>2</sup>	3 x 35 mm <sup>2</sup>	1 x M 40	1 x M 32	2 x M 25	8225/5-SL-WS37kW400V-T
45 kW	8225/122	4 x 95 mm <sup>2</sup>	3 x 35 mm <sup>2</sup>	1 x M 50	1 x M 40	2 x M 25	8225/5-SL-WS45kW400V-T
55 kW	8225/133	4 x 95 mm <sup>2</sup>	3 x 50 mm <sup>2</sup>	1 x M 50	1 x M 40	2 x M 25	8225/5-SL-WS55kW400V-T
75 kW	8225/133	4 x 95 mm <sup>2</sup>	3 x 95 mm <sup>2</sup>	1 x M 63	1 x M 50	2 x M 25	8225/5-SL-WS75kW400V-T

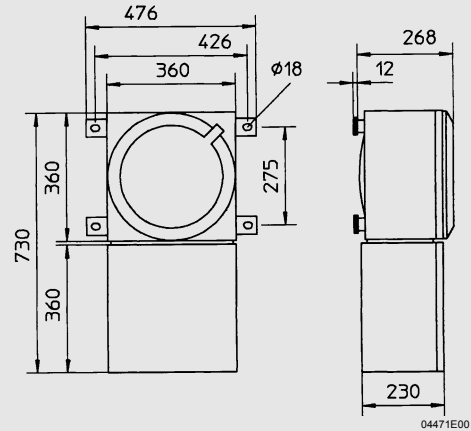


Dimension drawings (all dimensions in mm) - subject to alterations



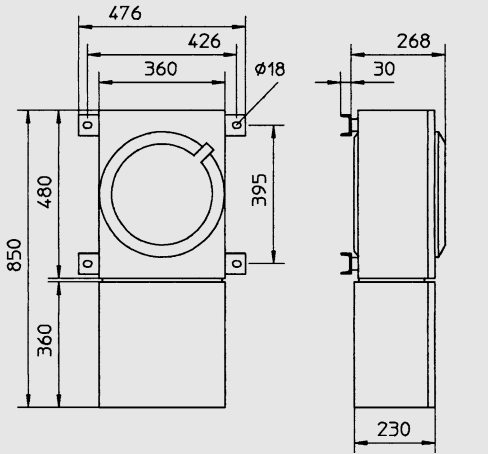
8225/112

04470E00



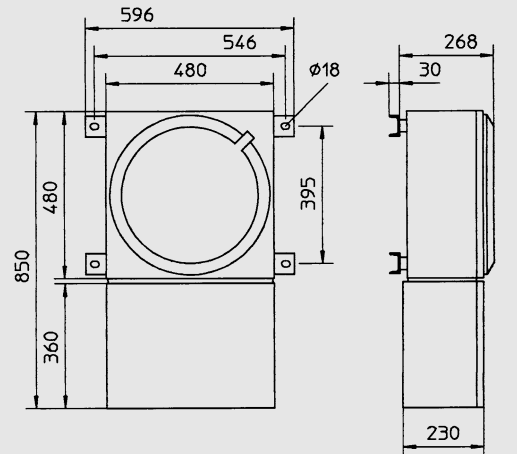
8225/122

04471E00



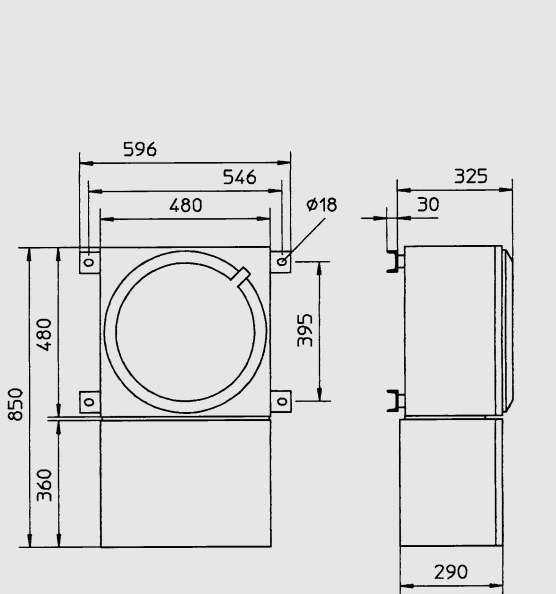
8225/172

04472E00



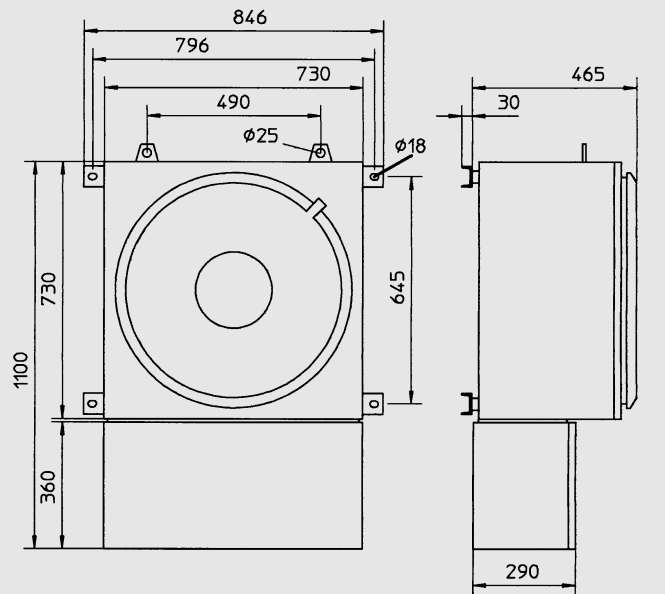
8225/132

04474E00



8225/133

04475E00



8225/196

04477E00

STAHL