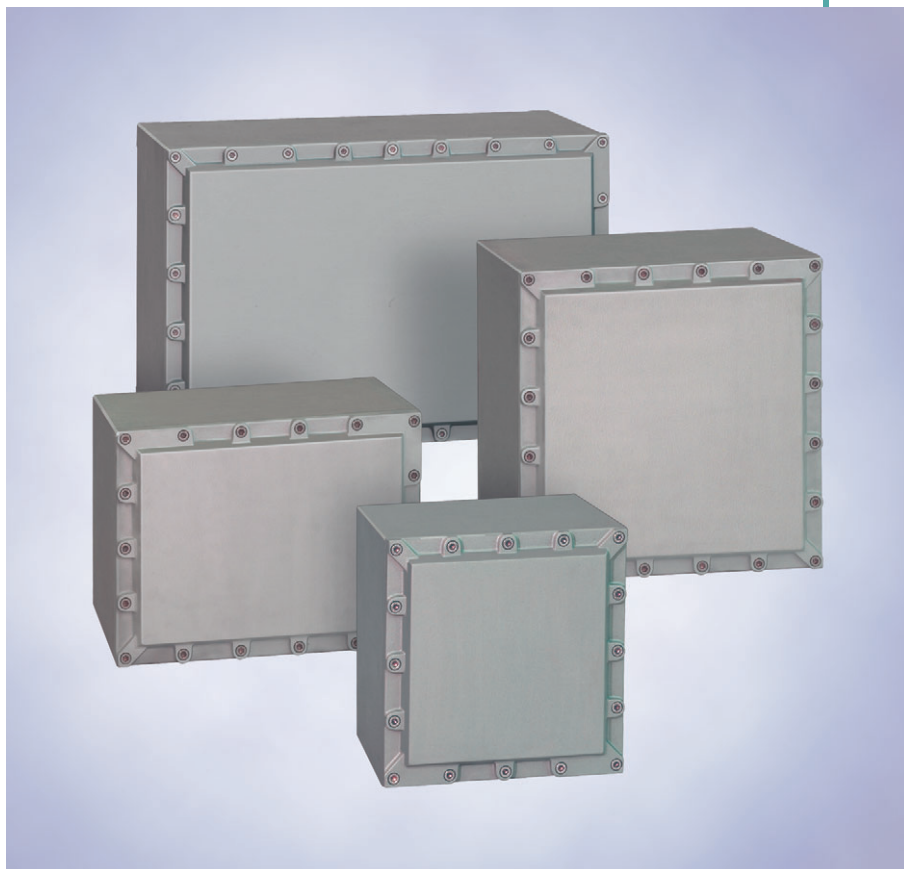


Standard Motor Starters CUBEx Series 8264

- Explosion protection to
 - ATEX
 - IEC
- Can be used in
 - Zone 1 and Zone 2
 - Zone 21 and Zone 22
- Enclosures with Ex d protection
- Available standard motor starters:
 - Direct-on-line motor starters DOL
 - Star-delta starters YD
 - Reversing starter combinations
- Advantage
 - Short time of delivery



10232E00

The standard motor starters described on the next page are fitted in flameproof enclosures.

As standard the starters are supplied without main switch, starting transformer, main and starter fuses and without control and monitoring devices; these parts can however be fitted to order. Further details on request.

STAHL

Zones 1 & 2, 21 & 22

Technical Data

Explosion protection

Gas explosion protection Ex II 2 G EEx d IIB T6

Dust explosion protection Ex II 2 D IP66 T80 °C

Certificates

Gas explosion protection KEMA 01 ATEX 2145

Dust explosion protection KEMA 01 ATEX 2145

Other certificates

Rated voltage 400 V, AC

Control voltage 230 V, AC

Ambient temperature - 20 °C ... + 40 °C

Degree of protection IP 66 (EN 60 529)

Housing Standard: Aluminium (AlSi 7Mg) (saltwater-proof according to EN 13890)
Special: Stainless steel (S5316L) on request

Note

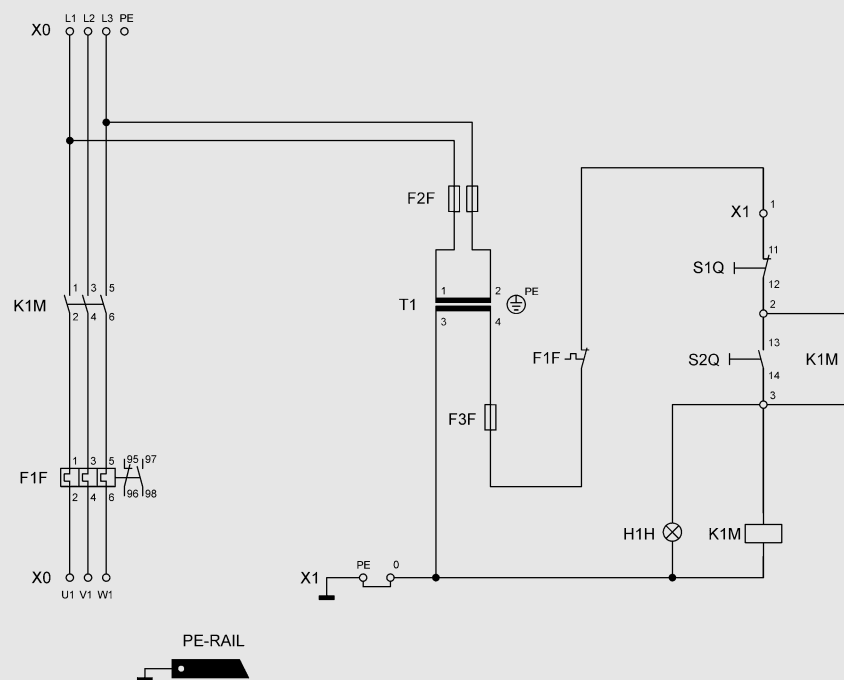
Description:

Contact for switching on and off of motor circuits and ohmic consumers.

With thermal excess-current release, design with control transformer acc. to EN 60 204.

To select the control transformer please state the rated voltage of the power supply.

Schematic



08726E00

Direct motor on-line starters DOL Selection table

Breaking capacity 400 V AC3	Ex d Enclosure	Cross section for connection		Cable entries, bottom			Ordering code
5,5 kW	8264/5212	4 x 6 mm ²	3 x 4 mm ²	1 x M 32	3 x M 25		8264/5-SM-ES5,5kW400V-T
7,5 kW	8264/5212	4 x 10 mm ²	3 x 6 mm ²	1 x M 32	3 x M 25		8264/5-SM-ES7,5kW400V-T
11 kW	8264/5212	4 x 10 mm ²	3 x 6 mm ²	1 x M 32	3 x M 25		8264/5-SM-ES11kW400V-T
15 kW	8264/5212	4 x 16 mm ²	3 x 6 mm ²	1 x M 32	3 x M 25		8264/5-SM-ES15kW400V-T
18,5 kW	8264/5212	4 x 16 mm ²	3 x 10 mm ²	1 x M 32	3 x M 25		8264/5-SM-ES18,5kW400V-T
22 kW	8264/5212	4 x 35 mm ²	3 x 10 mm ²	1 x M 40	1 x M 32	2 x M 25	8264/5-SM-ES22kW400V-T
30 kW	8264/5222	4 x 35 mm ²	3 x 16 mm ²	1 x M 40	1 x M 32	2 x M 25	8264/5-SM-ES30kW400V-T
37 kW	8264/5222	4 x 35 mm ²	3 x 16 mm ²	1 x M 40	1 x M 32	2 x M 25	8264/5-SM-ES37kW400V-T
45 kW	8264/5222	4 x 50 mm ²	3 x 35 mm ²	1 x M 50	1 x M 40	2 x M 25	8264/5-SM-ES45kW400V-T
55 kW	8264/5323	4 x 50 mm ²	3 x 35 mm ²	1 x M 50	1 x M 40	2 x M 25	8264/5-SM-ES55kW400V-T
75 kW	8264/5323	4 x 50 mm ²	3 x 35 mm ²	1 x M 50	1 x M 40	2 x M 25	8264/5-SM-ES75kW400V-T

STAHL

Technical Data

Explosion protection

Gas explosion protection Ex II 2 G EEx d IIB T6
Dust explosion protection Ex II 2 D IP66 T80 °C

Certificates

Gas explosion protection KEMA 01 ATEX 2145
Dust explosion protection KEMA 01 ATEX 2145

Other certificates

IECEX

Rated voltage

400 V, AC

Control voltage

230 V, AC

Ambient temperature

- 20 °C ... + 40 °C

Degree of protection

IP 66 (EN 60 529)

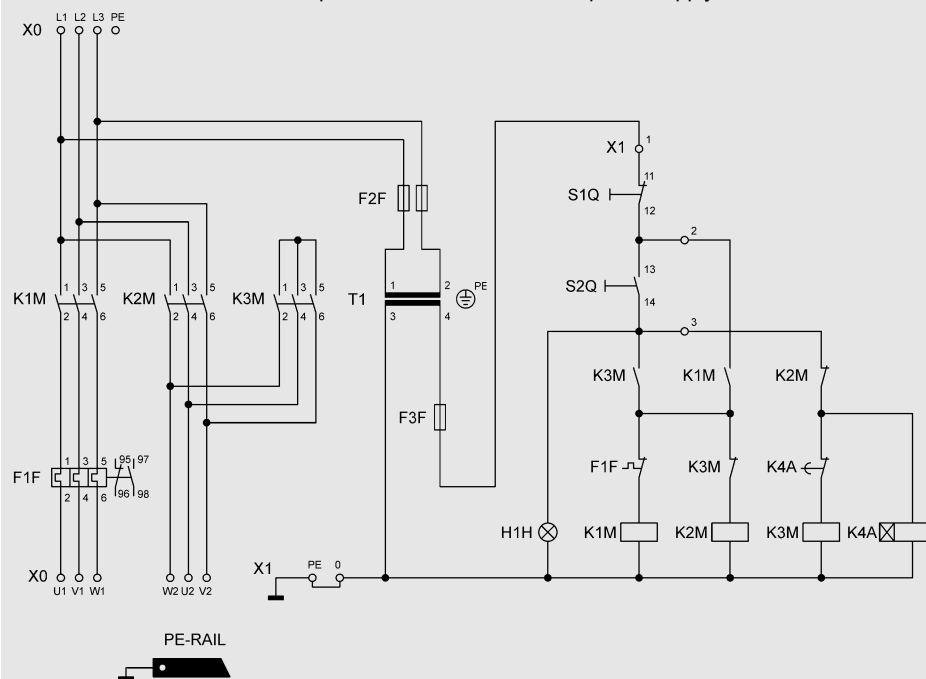
Housing

Standard: Aluminium (AlSi 7Mg) (saltwater-proof according to EN 13890)
Special: Stainless steel (S5316L) on request

Note

Description:
Contactor combination for switching on and off of motor circuits and ohmic consumers.
With thermal excess-current release, design with control transformer acc. to EN 60 204.
To select the control transformer please state the rated of the power supply.

Schematic



10042E00

Star-delta contactor starters YD

Selection table

Breaking capacity 400 V AC3	Ex d Enclosure	Cross section for connection		Cable entries, bottom			Ordering code
11 kW	8264/5222	4 x 6 mm ²	6 x 4 mm ²	3 x M 32	2 x M 25		8264/5-SL-SS11kW400V-T
15 kW	8264/5222	4 x 6 mm ²	6 x 4 mm ²	3 x M 32	2 x M 25		8264/5-SL-SS15kW400V-T
18,5 kW	8264/5222	4 x 6 mm ²	6 x 4 mm ²	3 x M 32	2 x M 25		8264/5-SL-SS18,5kW400V-T
22 kW	8264/5222	4 x 10 mm ²	6 x 6 mm ²	3 x M 32	2 x M 25		8264/5-SL-SS22kW400V-T
30 kW	8264/5323	4 x 16 mm ²	6 x 6 mm ²	3 x M 40	2 x M 25		8264/5-SL-SS30kW400V-T
37 kW	8264/5323	4 x 35 mm ²	6 x 10 mm ²	3 x M 40	2 x M 25		8264/5-SL-SS37kW400V-T
45 kW	8264/5323	4 x 35 mm ²	6 x 16 mm ²	1 x M 50	2 x M 40	2 x M 25	8264/5-SL-SS45kW400V-T
55 kW	8264/5323	4 x 50 mm ²	6 x 35 mm ²	1 x M 50	2 x M 40	2 x M 25	8264/5-SL-SS55kW400V-T
75 kW	8264/5323	4 x 50 mm ²	6 x 35 mm ²	1 x M 50	2 x M 40	2 x M 25	8264/5-SL-SS75kW400V-T
90 kW	8264/5933	4 x 95 mm ²	6 x 50 mm ²	1 x M 63	2 x M 40	2 x M 25	8264/5-SL-SS90kW400V-T
110 kW	8264/5933	4 x 150 mm ²	6 x 95 mm ²	1 x M 63	2 x M 50	2 x M 25	8264/5-SL-SS110kW400V-T
132 kW	8264/5993	4 x 150 mm ²	6 x 95 mm ²	1 x M 63	2 x M 50	2 x M 25	8264/5-SL-SS132kW400V-T
160 kW	8264/5993	4 x 240 mm ²	6 x 150 mm ²	3 x M 63	2 x M 25		8264/5-SL-SS160kW400V-T
200 kW	8264/5993	4 x 240 mm ²	6 x 150 mm ²	3 x M 63	2 x M 25		8264/5-SL-SS200kW400V-T



Technical Data

Explosion protection

Gas explosion protection Ex II 2 G EEx d IIB T6

Dust explosion protection Ex II 2 D IP66 T80 °C

Certificates

Gas explosion protection KEMA 01 ATEX 2145

Dust explosion protection KEMA 01 ATEX 2145

Other certificates

IECEX

Rated voltage

400 V, AC

Control voltage

230 V, AC

Ambient temperature

- 20 °C ... + 40 °C

Degree of protection

IP 66 (EN 60 529)

Housing

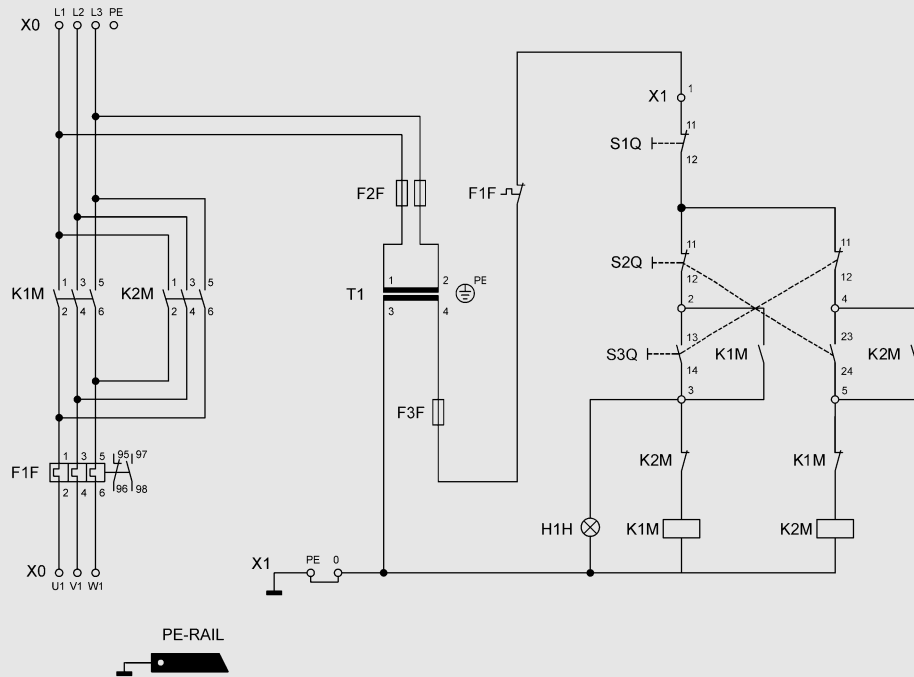
Standard: Aluminium (AISI 7Mg) (saltwater-proof according to EN 13890)

Special: Stainless steel (S5316L) on request

Note

Description:
Contactor combination for changing direction of rotation of motor circuits.
With thermal excess-current release, design with control transformer acc. to EN 60 204.
To select the control transformer please state the rated voltage of the power supply.

Schematic



10044E00

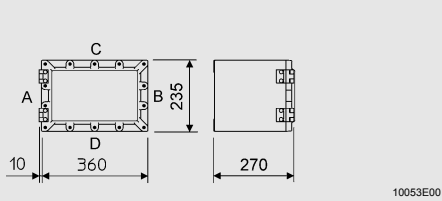
Reversing starter combinations

Selection table

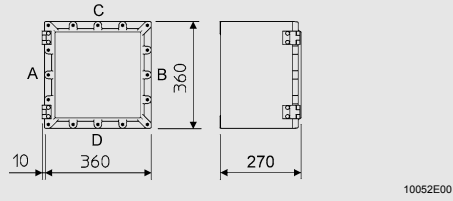
Breaking capacity 400 V AC3	Ex d Enclosure	Cross section for connection		Cable entries, bottom			Ordering code
5,5 kW	8264/5112	4 x 6 mm ²	3 x 4 mm ²	2 x M 32	2 x M 25		8264/5-SL-WS5,5kW400V-T
7,5 kW	8264/5222	4 x 6 mm ²	3 x 4 mm ²	2 x M 32	2 x M 25		8264/5-SL-WS7,5kW400V-T
11 kW	8264/5222	4 x 10 mm ²	3 x 6 mm ²	2 x M 32	2 x M 25		8264/5-SL-WS11kW400V-T
15 kW	8264/5222	4 x 16 mm ²	3 x 6 mm ²	2 x M 32	2 x M 25		8264/5-SL-WS15kW400V-T
18,5 kW	8264/5222	4 x 16 mm ²	3 x 10 mm ²	2 x M 32	2 x M 25		8264/5-SL-WS18,5kW400V-T
22 kW	8264/5222	4 x 35 mm ²	3 x 16 mm ²	1 x M 40	1 x M 32	2 x M 25	8264/5-SL-WS22kW400V-T
30 kW	8264/5323	4 x 35 mm ²	3 x 16 mm ²	1 x M 40	1 x M 32	2 x M 25	8264/5-SL-WS30kW400V-T
37 kW	8264/5323	4 x 50 mm ²	3 x 35 mm ²	1 x M 40	1 x M 32	2 x M 25	8264/5-SL-WS37kW400V-T
45 kW	8264/5323	4 x 95 mm ²	3 x 35 mm ²	1 x M 50	1 x M 40	2 x M 25	8264/5-SL-WS45kW400V-T
55 kW	8264/5333	4 x 95 mm ²	3 x 50 mm ²	1 x M 50	1 x M 40	2 x M 25	8264/5-SL-WS55kW400V-T
75 kW	8264/5333	4 x 95 mm ²	3 x 95 mm ²	1 x M 63	1 x M 50	2 x M 25	8264/5-SL-WS75kW400V-T

STAHL

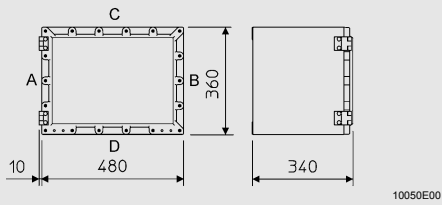
Dimension drawings (all dimensions in mm) - subject to alterations



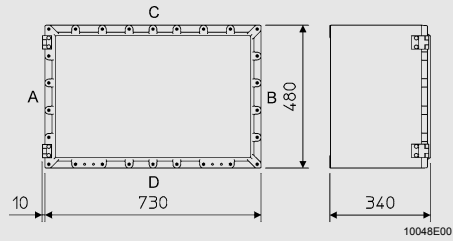
8264/5212



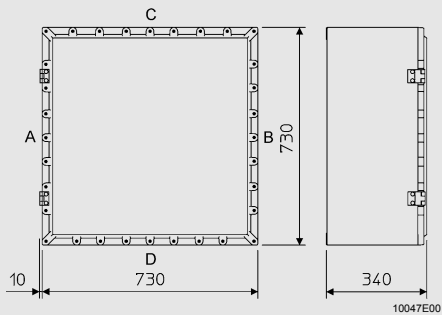
8264/5222



8264/5323



8264/5933



8264/5993