



10615E00

Horn Series 8491

- Explosion protection to
 - CENELEC
 - IEC
- Fixed signal tone
- Max. 105 dB (A) at 1 m distance

Horn Version 8491/1

- With flexible lead
- For use in
 - Zone 1 and Zone 2



Horn Version 8491/2

- With connection chamber and cable gland
- For use in
 - Zone 1 and Zone 2
 - Zone 21 and Zone 22

Series 8491 horns are used as acoustic alarms.

STAHL

Selection table

Version	Rated operational voltage U_e	Ordering code	Weight kg
 00446E00	24 V (21.6 V ... 26.4 V) AC 50 Hz	8491/11-024	1,450
	42 V ... 48 V (37.8 V ... 52.8 V) AC 50 Hz	8491/11-042	1,450
	115 V (102.5 V ... 131 V) AC 50/60 Hz 120 V (108 V ... 131 V) AC 60 Hz	8491/11-115	1,450
	230 V (208 V ... 250 V) AC 50 Hz	8491/11-230	1,450
	24 V (21.6 V ... 26.4 V) DC	8491/15-024	1,450
 10614E00	24 V (21.6 V ... 26.4 V) AC 50 Hz	8491/21-024	1,500
	42 V ... 48 V (37.8 V ... 52.8 V) AC 50 Hz	8491/21-042	1,500
	115 V (102.5 V ... 131 V) AC 50/60 Hz 120 V (108 V ... 131 V) AC 60 Hz	8491/21-115	1,500
	230 V (208 V ... 250 V) AC 50 Hz	8491/21-230	1,500
	24 V (21.6 V ... 26.4 V) DC	8491/25-024	1,500

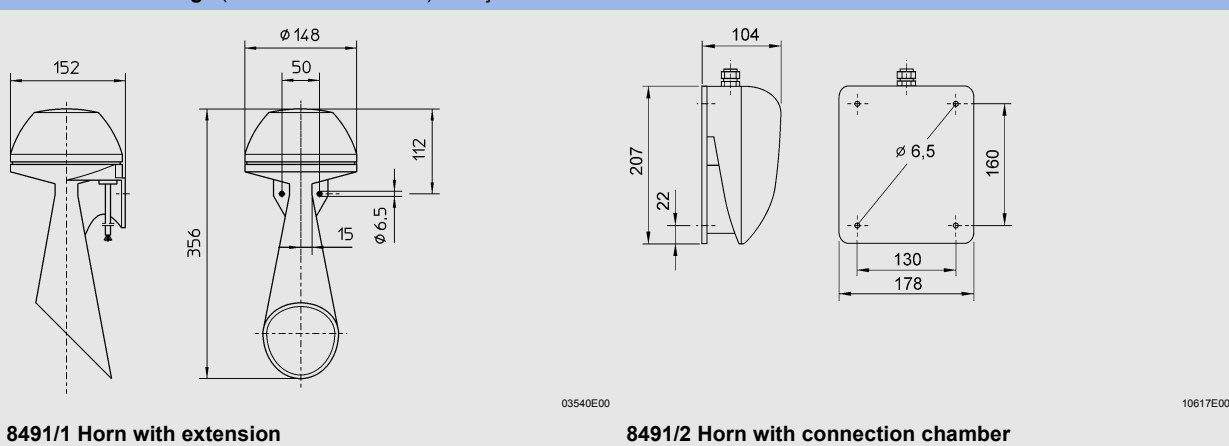
Zones 1 & 2

Technical Data

	8491/1	8491/2		
Explosion protection				
Gas explosion protection	II 2 G EEx m II T5	II 2 G EEx me II T5		
Dust explosion protection	--	II 2 D IP65 T 70 °C		
Certificates	BVS 03 ATEX E 159 X	BVS 03 ATEX E 159 X		
Other certificates	VNIIEF (Russia)	--		
Housing	PC/ABS, black	PC, black		
Degree of protection	IP 55	IP 65		
Rated operational voltage U _e	50 Hz : 24 V, 42 V ... 48 V, 230 V 50 / 60 Hz : 115 V 60 Hz : 120 V, DC : 24 V			
Back-up fuse	at rated voltage	Fuse	Rated current	Back-up fuse Type 8560*
	24 V (21.6 V ... 26.4 V) AC 50 Hz	630 mA	450 mA	8560/51-4153
	42 V ... 48 V (37.8 V ... 52.8 V) AC 50 Hz	315 mA	220 mA	8560/51-4153
	115 V (102.5 V ... 126.5 V) AC 50/60 Hz	315 mA	205 mA	8560/51-4113
	120 V (108 V ... 131 V) AC 60 Hz	315 mA	220 mA	8560/51-4113
	230 V (208 V ... 250 V) AC 50 Hz	125 mA	70 mA	8560/51-4073
	24 V (21.6 ... 26.4 V) DC	500 mA	350 mA	8560/51-4143
	* to install into an Ex e enclosure (e.g. Type 8118/113-303)			
Sound intensity (output)	max. 105 dB (A) at 1 m distance			
Duty cycle	70 %			
Ambient temperature	- 40 °C ... + 50 °C			
Mounting position	Sound direction downwards	Any position (exception : sound direction upwards)		
Connection	Cable 3 m length Lapptherm 145, 2 x 0.75 mm ²	Metal cable gland : EEx e M16 for cables : 6.5 mm ... 9.5 mm Terminal cross section: max. 2.5 mm ² (cage clamp)		



Dimension drawings (all dimensions in mm) - subject to alterations



We reserve the right to make alterations to the technical data, weights, dimensions, designs and products available without notice. The illustrations cannot be considered binding.