

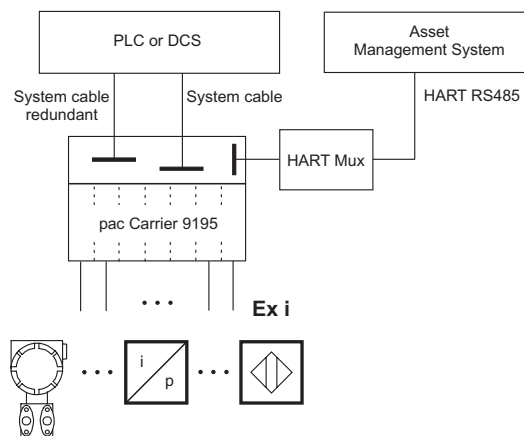


09824E00

STAHL

The pac-Carrier is an time and cost saving solution, whenever I.S. field devices need to be connected to frequently used I/O modules of DCS or PLC. The wiring on the safe side is reduced to the plug-in of a system cable and the installation of the isolators without tools.

The product family includes versions, which could be combined with the HART multiplexer. These version allow to establish the HART communication between field devices and the management system. New versions of the pac-Carrier can be easily and quickly generated.



10154E02

pac-Carrier Type 9195

- pac-Carrier for 8 or 16 modules, up to 32 signals
- All standard ISpac isolators can be used
- Flexible engineering due to:
 - direct allocation between I/O module and pac-Carrier
 - simple connection to the HART management system
 - horizontal and vertical installation possible
 - installation possible in Zone 2 and Div. 2
- Easy and quick installation due to:
 - customized system cables to automation system
 - installation of the isolators without tools
 - installation of the carrier on DIN rail or mounting plate
- Low out of service time of the system due to:
 - redundant power supply with fault detection contact and exchangeable fuses
 - very robust chassis proven by the DNV approval for ship building



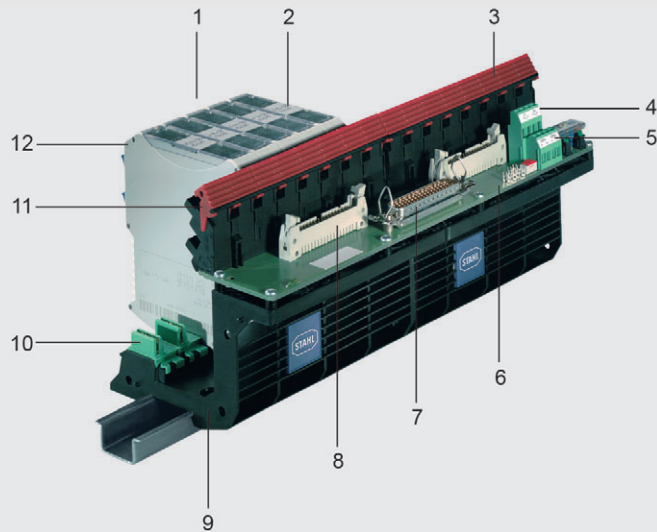
| Selection Table | | | | | | |
|--|-----------------------------------|---|---------------------------------|-----------------------------|------------|-------------------|
| Version | I/O-cards type | Signal type | Number of slots | Connection HART-Multiplexer | Redundancy | Ordering Code |
| pac-Carrier Type 9195 for Yokogawa ProSafe-RS | SAI 143 | 16 x AI | 16 | 9192/32 | yes | 9195/16H-YO3-01V1 |
| | SAI 533 | 8 x AO | 8 | 9192/32 | yes | 9195/08H-YO3-06V1 |
| | SAV 144 | 16 x AI | 8 | 9192/32 | yes | 9195/08H-YO3-02V1 |
| | SAV 144 | 16 x AI | 16 | 9192/32 | yes | 9195/16H-YO3-02V1 |
| | SDV 144 / 541 | 16 x DI / 16 x DO | 8 | no | yes | 9195/08A-YO3-03A2 |
| | SDV 144 / 541 | 16 x DI / 16 x DO | 16 | no | yes | 9195/16A-YO3-03A2 |
| | SDV 531 | 8 x DO | 8 | no | yes | 9195/08A-YO3-04A2 |
| pac-Carrier Type 9195 for Yokogawa CS Centum 3000 R3 | AAB 841 | 8 x AI + 8 x AO | 8 | 9192/32 | yes | 9195/08H-YO1-05V1 |
| | AAI 135 | 8 x AI | 8 | 9192/32 | yes | 9195/16H-YO1-08V1 |
| | AAI 141 | 16 x AI | 16 | no | no | 9195/16A-YO1-01D |
| | AAI 141 | 16 x AI + each AI 2nd output | 16 | no | no | 9195/16A-YO1-01E |
| | AAI 141 / 144 | 16 x AI | 8 | 9192/32 | yes | 9195/08H-YO1-01V1 |
| | SAI 143 | 16 x AI | 8 | 9192/32 | yes | 9195/08H-YO3-01V1 |
| | AAI 835 | 4 x AI / 4 x AO | 8 | 9192/32 | yes | 9195/08H-YO1-09V1 |
| | AAI 841 | 8 x AI + 8 x AO | 8 | 9192/32 | yes | 9195/08H-YO1-04V1 |
| | AAI 841 | 8 x AI + 8 x AO | 16 | no | no | 9195/16A-YO1-04D |
| | AAP 135 | 8 x DI (< 800 Hz) | 8 | no | no | 9195/08A-YO1-10V1 |
| | AAP 135 | 8 x DI (> 800 Hz) | 8 | no | yes | 9195/08A-YO1-11V1 |
| | AAV 141 | 16 x AI | 8 | 9192/32 | yes | 9195/08H-YO1-02V1 |
| | AAV 141 | 16 x AI | 16 | no | no | 9195/16A-YO1-02D |
| | ADV 151 / 161 | 32 x DI | 16 | no | yes | 9195/16A-YO1-06A2 |
| | ADV 551 / 561 | 32 x DO | 16 | no | yes | 9195/16A-YO1-07A2 |
| | pac-Carrier Type 9195 for Emerson | VE4001S2T1B3 VE4002S1T1B3 | 2 x (8 x DI) or 2 x (8 x DO) | 8 | no | no |
| VE4001S2T1B3 VE4002S1T1B3 VE4003S2B4 VE4005S2B3 | | 2 x (8 x DI) or 2 x (8 x DO) or 2 x (8 x AI) or 2 x (8 x AO) | 8 | no | no | 9195/08A-EP1-02A |
| VE4003S3B4 | | 2 x (8 x AI) | 8 | no | no | 9195/08A-EP1-03A |
| Customer specific versions for the following DCS: Yokogawa Centum CS, Yokogawa Pro-Safe-RS, Emerson Delta V, TRICONEx. | | | | | | |
| Detailed information about the available pac carrier versions as well as technical documentation you may download from the internet at www.ispac.info . Engineering and shipment of new versions within 6 weeks. | | | | | | |

Technical Data

| | | | |
|-------------------------------|--|---|---------------------|
| Certificates | BVS 03 E 213 X | | |
| Explosion protection | ⊕ II 3 G EEx nAC II T4 | | |
| Installation | In Zone 2, Div. 2 and in the safe area | | |
| Power supply | Nominal voltage U_N | 24 V DC | |
| | Voltage range | 19 V ... 31.2 V | |
| | Residual ripple | < 3.6 V _{pp} | |
| | Redundant supply | yes, decoupled with diodes | |
| | Indication | 2 LED green „PWR1“; „PWR2“ | |
| | Fuse | 2 x TR5; T 2.0 A; exchangeable, for primary and redundant supply | |
| | Polarity reversal protection | yes | |
| Connection field devices | Connection | at the terminals of the I.S. isolators (specification see module data sheets) | |
| | Number of channels | 8, 16, 32 | |
| Connection automation system | Connection | System specific plug (Sub-D, Elco, etc.) | |
| | Number of channels | up to 32 | |
| HART interface | Connection | <ul style="list-style-type: none"> • via connection automation system • via HART-Multiplexer 9192 (only at 9195/..H-....) | |
| Error messaging | Power supply failure PF | Contact (35 V / 100 mA), closed in good conditions | |
| | Line fault LF (of IS pac modules) | Contact (35 V / 100 mA), closed in good conditions | |
| | Setting switch „SP“ | Power failure message suppressed for redundant supply (for single supply) | |
| | Setting switch „LFS“ | Line fault message suppressed | |
| Electromagnetic compatibility | Tested under the following standards and regulations: EN 61326 (IEC/EN 61000-4-1...6 and 11; EN 55022 Class B); NAMUR NE 21 (IEC/EN 61000-4-1...6, 8 and 11; EN 55022 Class B) | | |
| Ambient conditions | Ambient temperature | - 20 °C ... + 70 °C (any mounting position, pay attention of the I.S. isolators specification) | |
| | Storage temperature | - 40 °C ... + 80 °C | |
| | Relative humidity (no condensation) | ≤ 95 % | |
| Mechanical data | | 9195/08-.... | 9195/16-.... |
| | Weight | approx. 320 g | approx. 610 g |
| | Mounting type | on DIN rail, EN 50022 (NS35/15; NS35/7.5) or mounting plate (4 x screw M 6) | |
| | Mounting position | horizontal or vertical | |
| | Casing protection class | IP 00 | |
| | Terminal protection class | IP 20 | |
| | Casing material | PA 6.6 | |
| | Fire protecting class (UL-94) | V0 | |

Technical Data

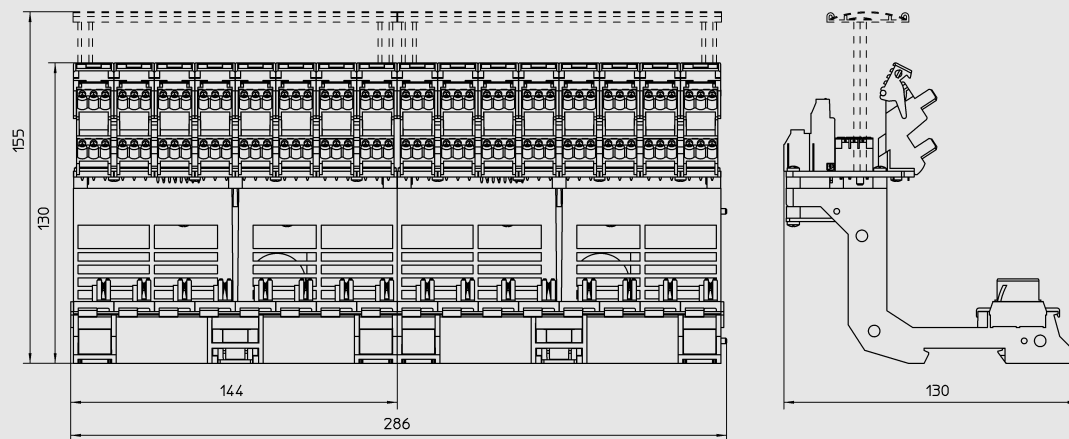
Construction drawing



09828E00

1. Carrier for 8 or 16 modules (32 channels)
2. Labeling for module, slot and carrier
3. Ejector mechanism (with screw driver)
4. Redundant and fused supply
5. Power supply failure and line fault signalling via relay
6. System specific PCB
7. System specific plugs
8. Signal duplication and / or connection HART-Multiplexer
9. For hat-rail or mounting plate
10. Integrated pac-Bus for power supply and line-fault signalling
11. Secure snap-in mechanism, without tool
12. Single slot, any signal mixture

Dimension drawing (all dimensions in mm) - subject to alterations



09828E00

| Type | | Wide |
|------------------|----------|--------|
| 9195/08.-...-... | 8 slots | 144 mm |
| 9195/16.-...-... | 16 slots | 286 mm |

We reserve the right to make alterations to the technical data, weights, dimensions, designs and products available without notice. The illustrations cannot be considered binding.

