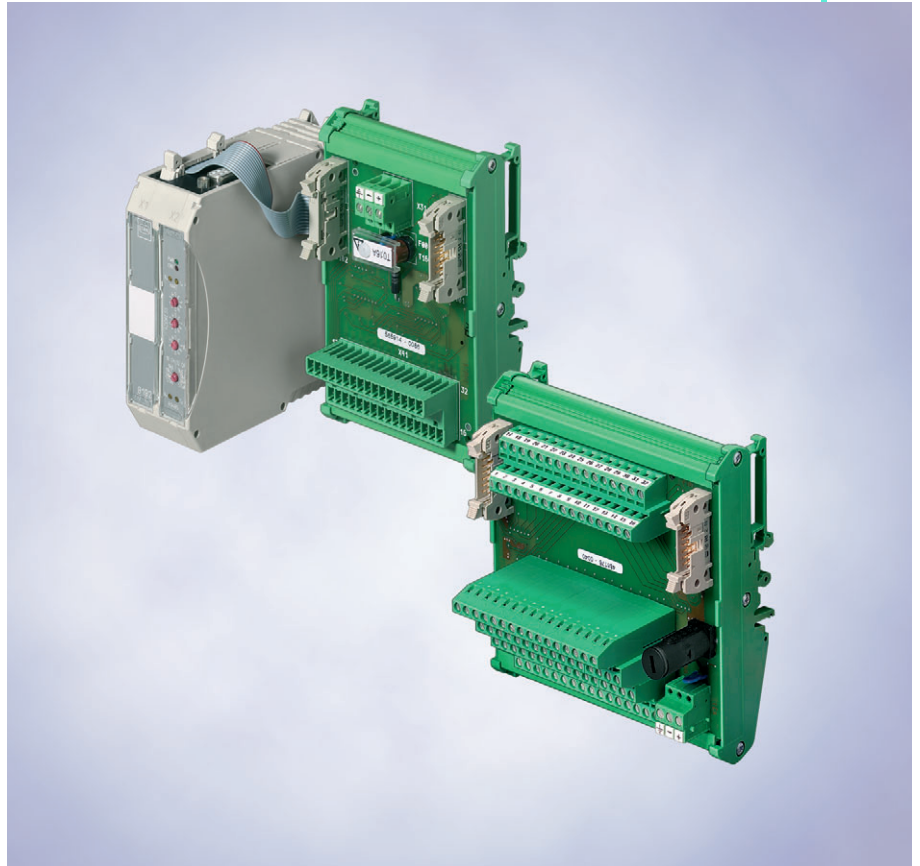


HART Termination Board Type 9196

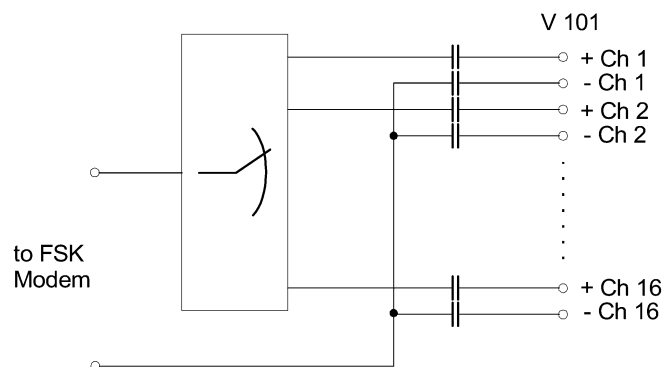
- Cost and space saving system for HART
- Processing of 4 ... 20 mA Non-Ex signals
- Installation possible in Zone 2 and Div. 2
- Simple installation on DIN rail



11200E00

The combination of the HART termination board type 9196 and the HART multiplexer type 9192 allows to establish the HART transmission between field devices and HART management system.

The board are open for a broad range of applications. The processed 4 mA ... 20 mA signals are non-Ex signals. The conversion between I.S. and non I.S. has to be established by additional isolators. The solution could be of course used for completely non-Ex applications as well.



See connection diagrams

11343E02

Selection Table

Version	Channels	Application	Signal zum Leitsystem	Zusätzlicher Ausgang für Schreiber o.ä.	Ordering Code
HART termination board type 9196	16 (32')	2-, 3- or 4-wire transmitter	1 ... 5 V	yes	9196/16H-XX0-01c
		2-, 3- or 4-wire transmitter; positioner	4 ... 20 mA	no	9196/16H-XX0-03c
			1 ... 5 V	no	9196/16H-XX0-04c
HART-Multiplexer type 9192	32 channels	--	--	--	9192/32-10-10

* If two HART Termination Boards type 9196 are connected to HART Multiplexer type 9192.

Accessories and spare parts

Designation	Description	Ordering code
Screw terminal	Detachable terminals for the connection of the HART Termination Board type 9196/...-...-03c. Two terminals per board required.	
	16 poles, horizontal wire connection	5197810
	16 poles, vertical wire connection	5197820

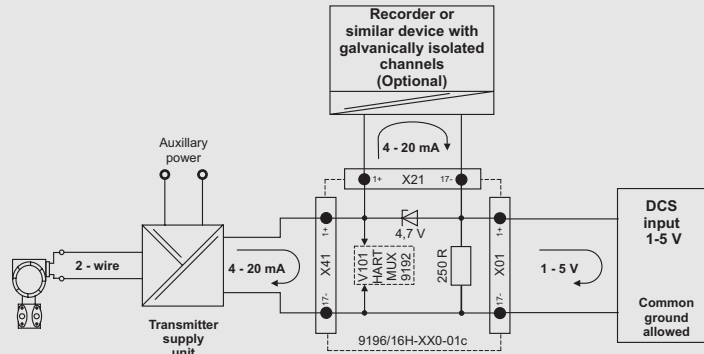
Technical Data

Certificates	BVS 03 E 213 X	
Other certificates	Ukraine (ISCVE)	
Explosion protection	⊕ II 3 G EEx nAC II T4	
Installation	In Zone 2, Div. 2 and in the safe area	
Power supply	Nominal voltage U_N	24 V DC
	Voltage range	19 V ... 31.2 V
	Residual ripple within voltage range	≤ 3.6 V _{pp}
	Polarity reversal protection	yes
Connection isolators / non-Ex field devices	9196/...-...-01c, 9196/...-...-04c	via integrated screw terminal
	9196/...-...-03c	via detachable terminal, connected in parallel to the field device / PLC; in or output
Connection automation system	9196/...-...-01c, 9196/...-...-04c	via integrated screw terminal
Electromagnetic compatibility	Tested under the following standards and regulations: EN 61326 (IEC/EN 61000-4-1...6 and 11; EN 55022 Class B); NAMUR NE 21 (IEC/EN 61000-4-1...6, 8 and 11; EN 55022 Class B)	
Ambient conditions	Ambient temperature	- 20 °C ... + 70 °C (watch instructions)
	Storage temperature	- 40 °C ... + 80 °C
	Relative humidity (no condensation)	≤ 95 %
Mechanical data	Weight	9196/...-...-01c / -04c approx 140 g 9196/...-...-03c approx 40 g
	Mounting type	on DIN rail acc. to EN 50022 (NS35/15; NS35/7.5)
	Mounting position	horizontal or vertical
	Casing protection class	IP 00
	Terminal protection class	IP 20
	Casing material	PA 6.6
Fire protecting class (UL-94)	V0	

Technical Data

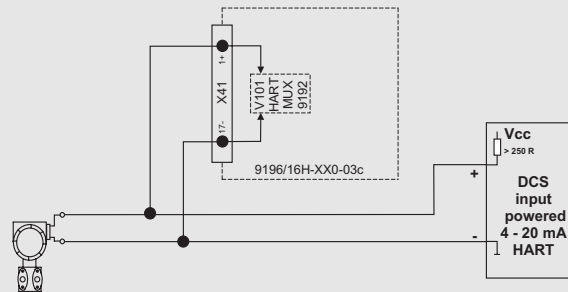
Connection diagram

For types
9196/...-...-01c

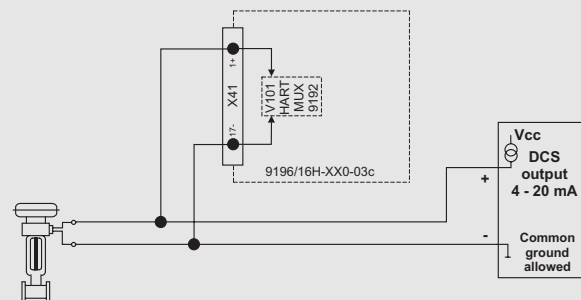


11340E02

For types
9196/...-...-03c

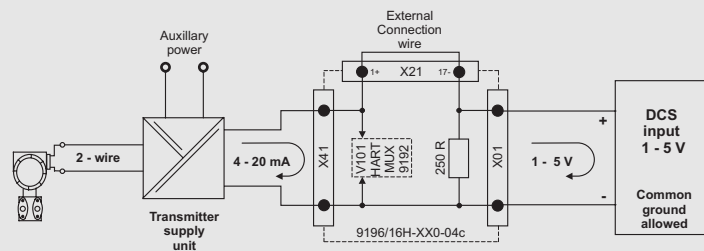


11338E02

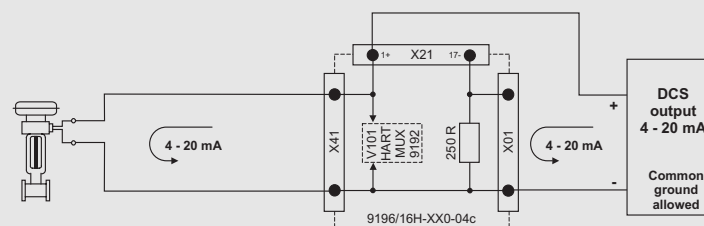


11339E02

For types
9196/...-...-04c



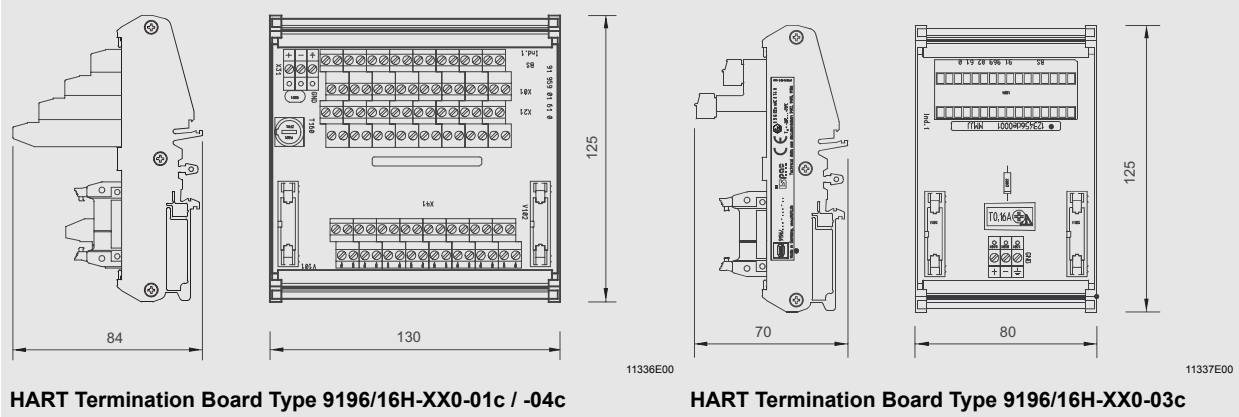
05674E02



05675E02



Dimension drawings (all dimensions in mm) - subject to alterations



HART Termination Board Type 9196/16H-XX0-01c / -04c

HART Termination Board Type 9196/16H-XX0-03c

We reserve the right to make alterations to the technical data, weights, dimensions, designs and products available without notice. The illustrations cannot be considered binding.

